



AXIS 215 PTZ

Installation Guide

ENGLISH

FRANÇAIS

DEUTSCH

ITALIANO

ESPAÑOL



# AXIS 215 PTZ Installation Guide

This installation guide provides instructions for installing the AXIS 215 PTZ Network Camera on your network. For all other aspects of using the product, please see the User's Manual, available on the CD included in this package, or from [www.axis.com/techsup](http://www.axis.com/techsup)

## Installation steps

1. Check the package contents against the list below.
2. Hardware overview. See page 4.
3. Mount the hardware. See page 5.
4. Assign an IP address. See page 10.
5. Set the password. See page 13.

**Important!**  
This product must be used in compliance with local laws and regulations.

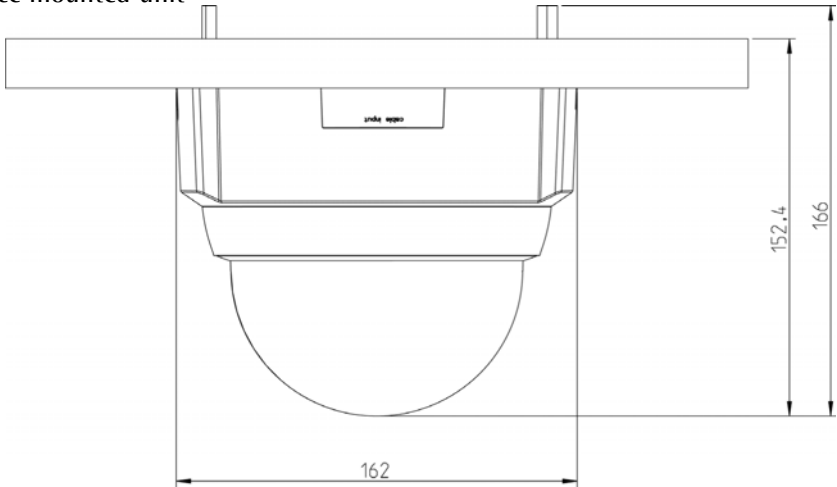
ENGLISH

## 1 Package contents

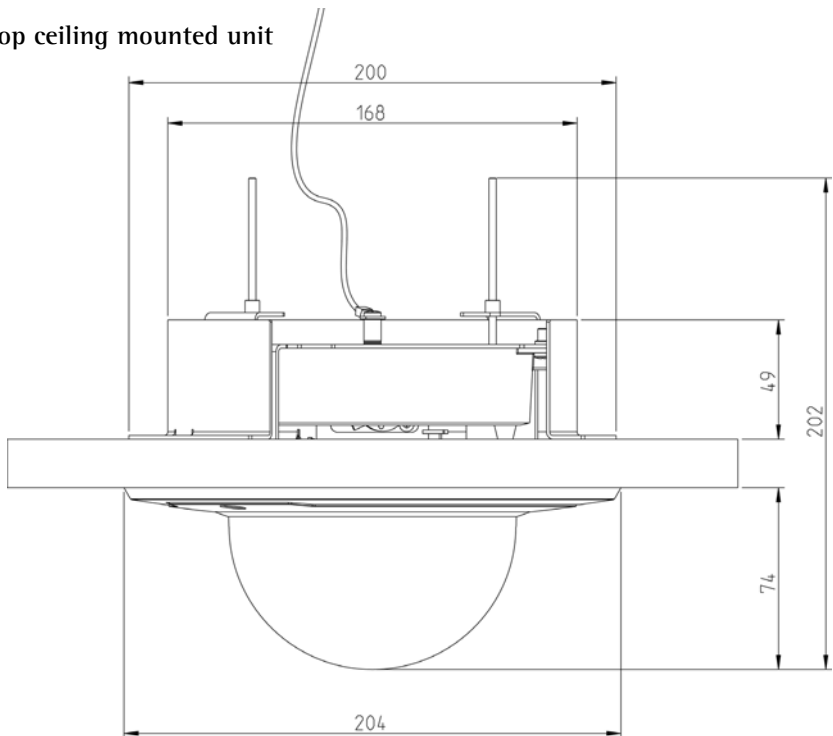
Item	Models/variants/notes
Network camera	<ul style="list-style-type: none"> <li>• AXIS 215 PTZ 50Hz (PAL)</li> <li>• AXIS 215 PTZ 60Hz (NTSC)</li> </ul>
Power adapter	12V DC
Power adapter mains cable (country-specific)	<ul style="list-style-type: none"> <li style="width: 50%;">• Europe</li> <li style="width: 50%;">• USA/Japan</li> <li style="width: 50%;">• UK</li> <li style="width: 50%;">• Argentina</li> <li style="width: 50%;">• Australia</li> <li style="width: 50%;">• Korea</li> </ul>
4-pin block connector	For connecting external devices to the I/O terminal connector
Drop ceiling mounting kit	1 inner bracket, 1 outer bracket
Plastic domes x 2	1 x for surface mounting 1 x for drop ceiling mounting
Screwdriver	Resitorx T20
Screw kit	<ul style="list-style-type: none"> <li style="width: 50%;">• 1 x safety wire 1m (3.3 ft)</li> <li style="width: 50%;">• 4 x screw M4x10</li> <li style="width: 50%;">• 2 x plug 30x3.4-4mm</li> <li style="width: 50%;">• 1 x screw M4x4</li> <li style="width: 50%;">• 2 x screw ST4.2x38</li> <li style="width: 50%;">• 2 x screw M4x10 resitorx</li> </ul>
Template	Use to mark positions for surface/drop ceiling mounting
CD	AXIS Network Video Product CD, including product documentation, installation tools and other software
Printed Materials	AXIS 215 PTZ Installation Guide (this document) Axis Warranty Document

## 2 Hardware overview

Surface mounted unit



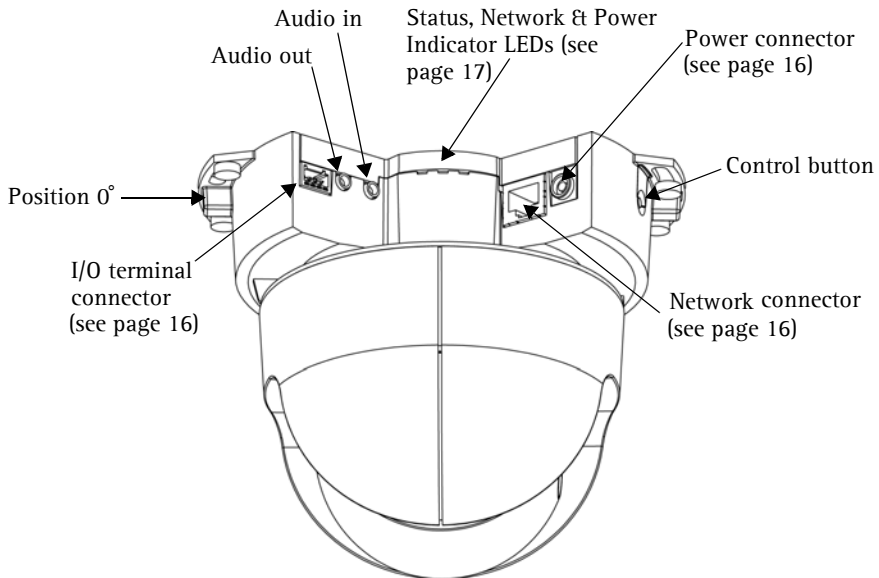
Drop ceiling mounted unit



### Weights

- Camera: 0.60kg (1.32lb)
- Drop ceiling mount 0.54kg (1.19lb)
- Drop ceiling cover 0.12kg (0.26lb)
- Surface mount cover 0.13kg (0.29lb)
- Power adapter, including mains cable: 0.43kg (0.95lb)

### Connectors & buttons



### 3 Mounting

- IMPORTANT!** - The AXIS 215 PTZ is designed for indoor and outdoor use. To use the camera outdoors, it must be installed in an approved outdoor housing.
  - Please see [www.axis.com](http://www.axis.com) for more information on outdoor housings.

Do not use the camera's dome bubble if it is to be installed in an outdoor housing as the use of two dome bubbles will reduce the image quality and cause image blurring.

### The front position

The AXIS 215 PTZ can pan (swivel)  $\pm 180^\circ$  from position  $0^\circ$ , i.e. the metal tab to the left of the connectors, as illustrated above. This position can be thought of as the “front” of the camera, and is the point to which the camera will return whenever it is (re)started.

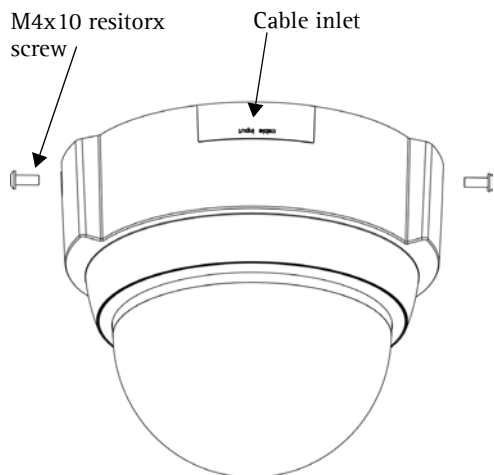
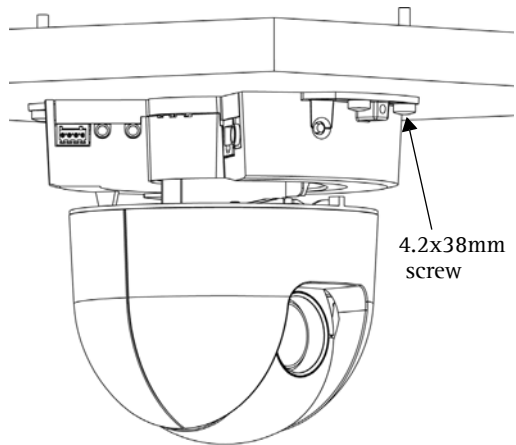
The AXIS 215 PTZ can be mounted in 2 different ways:

- Surface mounted on a hard ceiling, in which case the unit is fastened directly to the ceiling material
- Recessed in a drop ceiling, which involves cutting a hole in the ceiling and using the supplied drop ceiling mount

## Surface mounting

If the required cabling is also surface mounted, the cables should enter via the removable cable inlet on the large plastic dome cover.

1. Use the supplied template to mark out the positions for the screws that will fasten the camera to the ceiling. If required, drill holes for the supplied mounting plugs.
2. Use the 2 supplied 4.2x38 screws to fasten the camera to the ceiling.
3. Connect the camera to the network using a shielded network cable.
4. Optionally connect external input/output devices, e.g. alarm devices. See page 16 for information on the terminal connector pins.
5. Optionally connect an active speaker and/or external microphone.
6. Connect the supplied indoor power adapter to the power connector.
7. Using the supplied screwdriver, attach the large dome cover, using the 2 M4x10 resitorx screws.



## Notes:

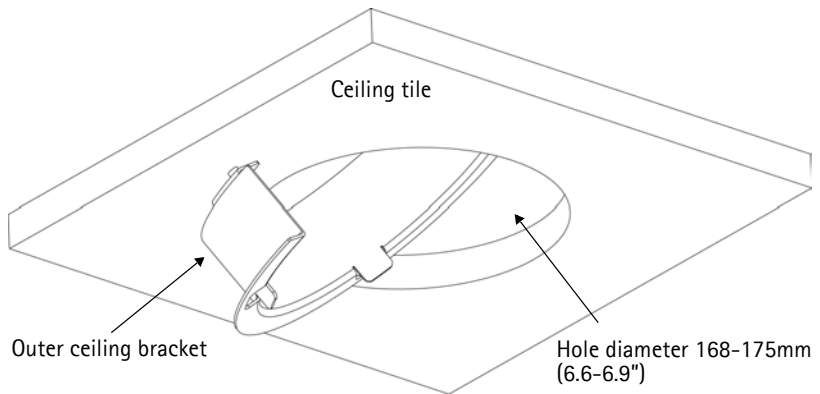
- When power is applied, check that the indicator LEDs indicate the correct conditions. See the table on page 17 for further details.
- The dome cover can be fitted with the clear or the smoked plastic glass. See *Replacing the dome glass*, on page 9.

## Drop ceiling mounting

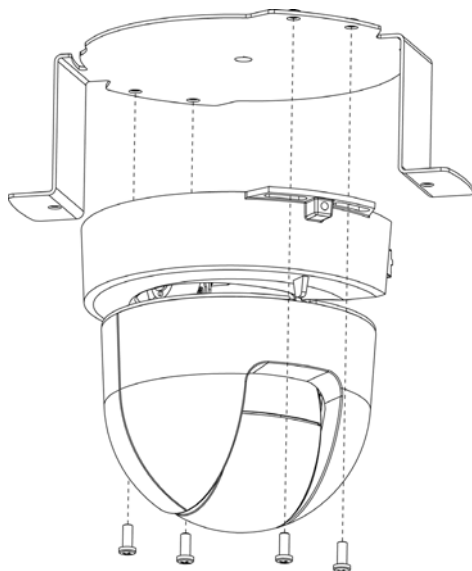
1. If possible, remove the ceiling tile in which the drop ceiling mount is to be fitted.
2. Use the supplied template to mark the position for the hole in the ceiling tile. Remove the protective paper, fix to ceiling tile and cut around the template.

**Note:** The combined weight of the camera, ceiling mount and cover is 1.26 kg (2.78 lb). Check that the ceiling material is strong enough to support this weight. The thickness of the ceiling should be 20-60mm (0.79"-2.36").

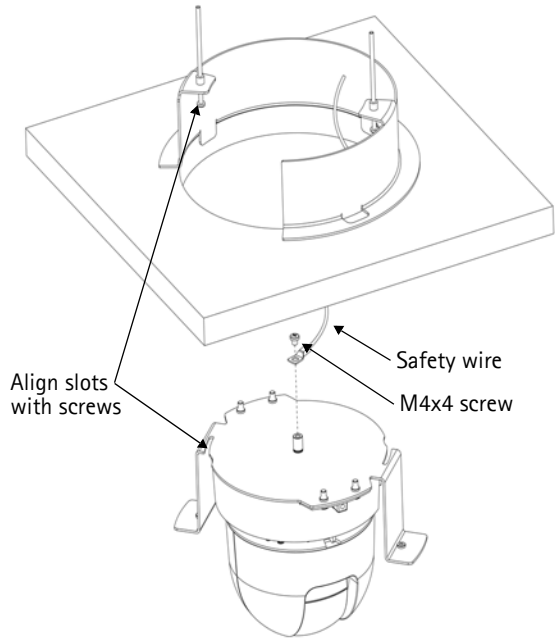
3. Tilt and insert the outer ceiling bracket through the hole, and then pull it into place. The bracket should be positioned so that the 3 vertical tabs point downwards in the hole.



4. Pull all of the required cables (network, power, etc) down through the hole, ready for connection.
5. Using the 4 supplied M4x10 screws, mount the camera on the inner ceiling bracket, as illustrated here.



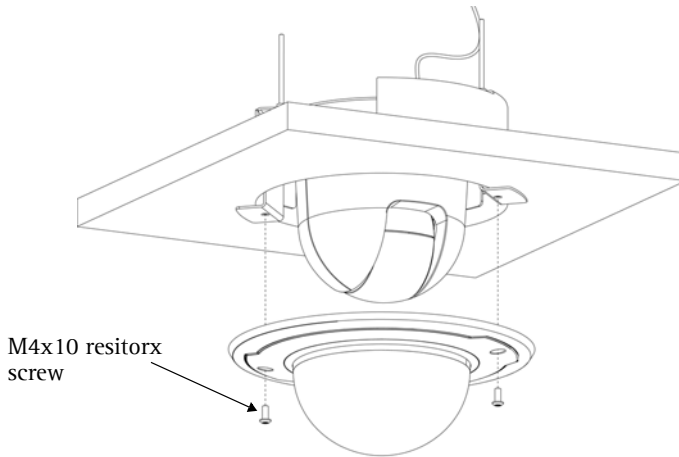
6. Adjust the length of the supplied safety wire and attach it to both the inner bracket and the hard ceiling above the drop ceiling.
7. Connect the camera to the network using a shielded network cable.
8. Optionally connect external input/output devices, e.g. alarm devices. See page 16 for information on the terminal connector pins.
9. Optionally connect an active speaker and/or external microphone.



10. Connect the supplied indoor power supply to the power connector on the camera.
11. Lift and turn the inner bracket (with camera) so that the screws on the outer bracket enter the screw slots on the inner bracket. Make sure that the screws go all the way to the back of the slots.
12. Gently tighten the screws so that the ceiling tile is held between the inner and outer brackets. Check that none of the cabling is trapped by the brackets.

**Note:** When power is applied, check that the indicator LEDs indicate the correct conditions. See the table on page 17 for further details.

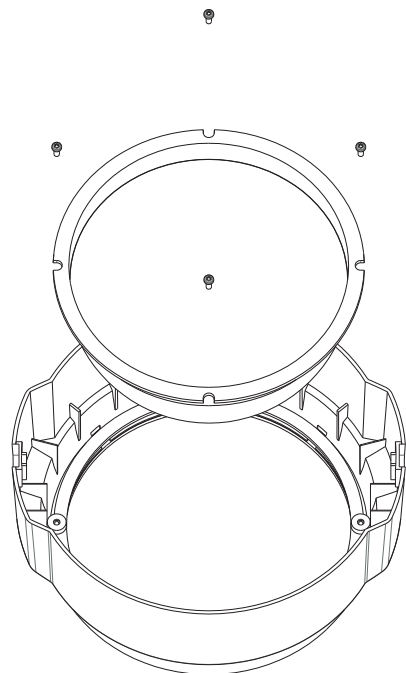
- Using the supplied screwdriver, attach the smaller dome cover, using the 2 M4x10 resitorx screws.



## Replacing the dome glass

The dome cover can be fitted with the clear or the smoked plastic glass. To switch covers, use a torx T6 screwdriver to remove the 4 fastening screws on the inside of the dome, as shown here.

You are advised to take care when handling the plastic glass, to avoid scratching it. The wearing of cotton gloves is recommended.





## 4 Assign an IP address

Most networks today have a DHCP server that automatically assigns IP addresses to connected devices. If your network does not have a DHCP server the AXIS 215 PTZ will use 192.168.0.90 as the default IP address.

If you would like to assign a static IP address the recommended method in Windows is either **AXIS IP Utility** or **AXIS Camera Management**. Depending on the number of cameras you wish to install, use the method that best suits your purpose.

Both of these free applications are available on the Axis Network Video Product CD supplied with this product, or they can be downloaded from [www.axis.com/techsup](http://www.axis.com/techsup)

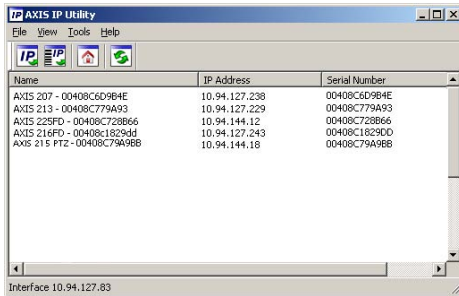
Method	Recommended for	Operating system
 AXIS IP Utility See page 11	Single camera Small installations	Windows
 AXIS Camera Management See page 12	Multiple cameras Large installations Installation on a different subnet	Windows 2000 Windows XP Pro Windows 2003 Server

### Notes:

- If assigning the IP address fails, check that there is no firewall blocking the operation.
- For other methods of assigning or discovering the IP address of the AXIS 215 PTZ, e.g. in other operating systems, see page 15.

## AXIS IP Utility - single camera/small installation

AXIS IP Utility automatically discovers and displays Axis devices on your network. The application can also be used to manually assign a static IP address.




Note that the computer running AXIS IP Utility must be on the same network segment (physical subnet) as the AXIS 215 PTZ.

### Automatic discovery

1. Check that the AXIS 215 PTZ is connected to the network and that power has been applied.
2. Start AXIS IP Utility.
3. When the camera appears in the window, double-click it to open its home page.
4. See page 13 for instructions on how to set the password.

### Assign the IP address manually (optional)

1. Acquire an unused IP address on the same network segment as your computer.
2. Select the AXIS 215 PTZ in the list.
3. Click the button  Assign new IP address to the selected device and enter the IP address.
4. Click the Assign button and follow the instructions.
5. Click the Home Page button to access the camera's web pages.
6. See page 13 for instructions on how to set the password.



## 5 Set the password

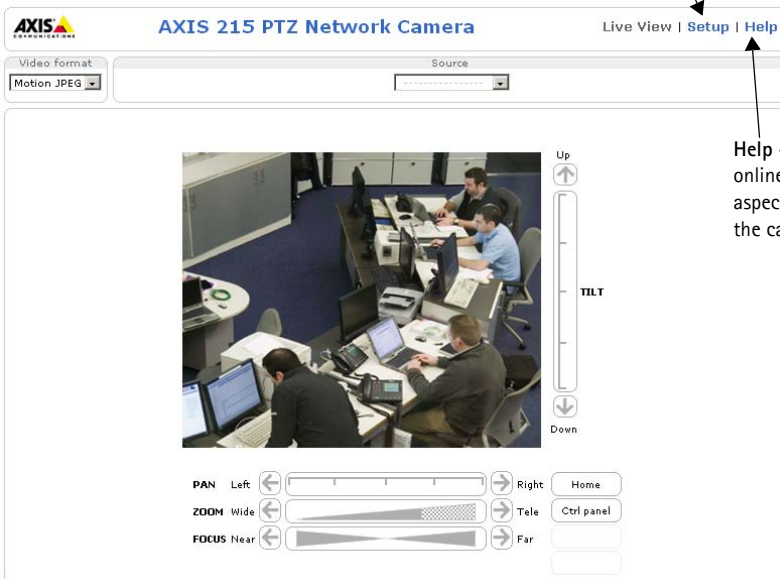
When accessing the AXIS 215 PTZ for the first time, the 'Configure Root Password' dialog will be displayed.



1. Enter a password and then re-enter it, to confirm the spelling. Click OK.
2. Enter the user name root in the dialog as requested.  
Note: The default administrator user name root cannot be deleted.
3. Enter the password as set above, and click OK. If the password is lost, the AXIS 215 PTZ must be reset to the factory default settings. See page 18.
4. If required, click Yes to install AMC (AXIS Media Control), which allows viewing of the video stream in Internet Explorer. You will need administrator rights on the computer to do this.

The Live View page of the AXIS 215 PTZ is displayed, with links to the Setup tools, which allow you to customize the camera.

Setup - Provides all the tools for configuring the camera to requirements.



Help - Displays online help on all aspects of using the camera.

## Accessing the AXIS 215 PTZ from the Internet

Once installed, your AXIS 215 PTZ is accessible on your local network (LAN). To access the camera from the Internet, network routers must be configured to allow incoming traffic, which is usually done on a specific port. Please refer to the documentation for your router for further instructions. For more information on this and other topics, visit the Axis Support Web at [www.axis.com/techsup](http://www.axis.com/techsup)

## Other methods of setting the IP address

The table below shows the other methods available for setting or discovering the IP address. All methods are enabled by default, and all can be disabled.

	Use in operating system	Notes
UPnP™	Windows (ME or XP)	When enabled on your computer, the camera is automatically detected and added to "My Network Places."
Bonjour	MAC OSX (10.4 or later)	Applicable to browsers with support for Bonjour. Navigate to the Bonjour bookmark in your browser (e.g. Safari) and click on the link to access the camera's web pages.
AXIS Dynamic DNS Service	All	A free service from Axis that allows you to quickly and simply install your camera. Requires an Internet connection with no HTTP proxy. See <a href="http://www.axiscam.net">www.axiscam.net</a> for more information.
ARP/Ping	All	See below. The command must be issued within 2 minutes of connecting power to the camera.
View DHCP server admin pages	All	To view the admin pages for the network DHCP server, see the server's own documentation.

### Set the IP address with ARP/Ping

1. Acquire an IP address on the same network segment your computer is connected to.
2. Locate the serial number (S/N) on the AXIS 215 PTZ label.
3. Open a command prompt on your computer and enter the following commands:

Windows syntax	Windows example
<pre>arp -s &lt;IP Address&gt; &lt;Serial Number&gt; ping -l 408 -t &lt;IP Address&gt;</pre>	<pre>arp -s 192.168.0.125 00-40-8c-18-10-00 ping -l 408 -t 192.168.0.125</pre>
UNIX/Linux/Mac syntax	UNIX/Linux/Mac example
<pre>arp -s &lt;IP Address&gt; &lt;Serial Number&gt; temp ping -s 408 &lt;IP Address&gt;</pre>	<pre>arp -s 192.168.0.125 00:40:8c:18:10:00 temp ping -s 408 192.168.0.125</pre>

4. Check that the network cable is connected to the camera and then start/restart the camera, by disconnecting and reconnecting power.
5. Close the command prompt when you see 'Reply from 192.168.0.125: ...' or similar.
6. In your browser, type in `http://<IP address>` in the Location/Address field and press Enter on your keyboard.

#### Notes:

- To open a command prompt in Windows: from the Start menu, select Run... and type cmd. Click OK.
- To use the ARP command on a Mac OS X, use the Terminal utility in Application > Utilities.

## Unit connectors

**Network connector** - RJ-45 Ethernet connector. Using shielded cables is recommended.

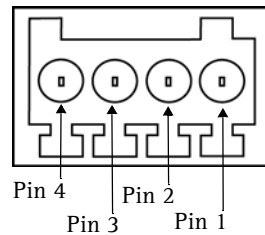
**Power connector** - DC connector 12V DC  $\pm 5\%$ , max 14.5W. See product label for  $\pm$  connection.

**Audio in** - 3.5mm input for a mono microphone, or a line-in mono signal (left channel is used from a stereo signal).

**Audio out** - Audio output (line level) that can be connected to a public address (PA) system or an active speaker with a built-in amplifier. A pair of headphones can also be attached. A stereo connector must be used for the audio out.

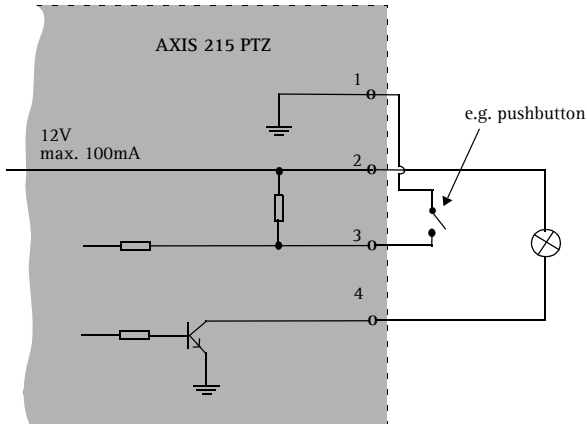
**I/O terminal connector** - Used in applications for e.g. motion detection, event triggering, time lapse recording and alarm notifications. It provides the interface to:

- 1 transistor output - For connecting external devices such as relays and LEDs. Connected devices can be activated by AXIS VAPIX API, output buttons on the Live View page or by an **Event Type**. The output will show as active (shown under **Event Configuration > Port Status**) if the alarm device is activated.
- 1 digital input - An alarm input for connecting devices that can toggle between an open and closed circuit, for example: PIRs, door/window contacts, glass break detectors, etc. When a signal is received the state changes and the input becomes active (shown under **Event Configuration > Port Status**).
- Auxiliary power and GND



Function	Pin number	Notes	Specifications
GND	1	Ground	
12V DC Power	2	Can be used to power auxiliary equipment. Note that the AXIS 215 PTZ itself cannot be powered via the I/O terminal connector.	Max load = 100mA
Digital Input	3	Connect to GND to activate, or leave floating (or unconnected) to deactivate.	Must not be exposed to voltages greater than 12V DC
Transistor Output	4	Uses an open-collector NPN transistor with the emitter connected to the GND pin. If used with an external relay, a diode must be connected in parallel with the load, for protection against voltage transients.	Max load = 100mA Max voltage = 24V DC (to the transistor)

## Connection diagram



ENGLISH

## LED indicators

LED	Color	Indication
Network	Green	Steady for connection to a 100 Mbit/s network. Flashes for network activity.
	Amber	Steady for connection to 10 Mbit/s network. Flashes for network activity.
	Unlit	No network connection.
Status	Green	Steady green for normal operation.
	Amber	Steady during startup, during reset to factory default or when restoring settings.
	Red	Slow flash for failed upgrade.
Power	Green	Normal operation.
	Amber	Flashes green/amber during firmware upgrade.

## Resetting to the Factory Default Settings

This will reset all parameters, including the IP address, to the factory default settings:

1. Disconnect power from the camera.
2. Press and hold the Control button and reconnect power.
3. Keep the Control button pressed until the Status indicator displays amber (this may take up to 15 seconds), then release the button.
4. When the Status indicator displays green (which can take up to 1 minute) the process is complete and the camera has been reset.
5. Re-assign the IP address, using one of the methods described in this document.

It is also possible to reset parameters to the original factory default settings via the web interface. For more information, please see the online help or the user's manual.

### Further information

The user's manual is available from the Axis Web site at [www.axis.com](http://www.axis.com) or from the Axis Network Video Product CD supplied with this product.

**Tip!**

Visit [www.axis.com/techsup](http://www.axis.com/techsup) to check if there is updated firmware available for your AXIS 215 PTZ. To see the currently installed firmware version, see the Basic Configuration web page in the product's Setup tools.

# AXIS 215 PTZ

## Guide d'installation

Ce guide d'installation vous explique comment installer la caméra réseau AXIS 215 PTZ sur votre réseau. Pour d'autres informations sur l'utilisation de ce produit, consultez le Manuel de l'utilisateur, disponible sur le CD fourni ou sur [www.axis.com/techsup](http://www.axis.com/techsup).

### Étapes de l'installation

1. Vérification du contenu de l'emballage à l'aide de la liste ci-dessous.
2. Présentation du matériel. Reportez-vous à la page 20.
3. Installation du matériel. Reportez-vous à la page 21.
4. Attribution d'une adresse IP. Reportez-vous à la page 26.
5. Définissez le mot de passe. Reportez-vous à la page 29.

**Important !**  
Ce produit doit être utilisé conformément aux lois et dispositions locales en vigueur.

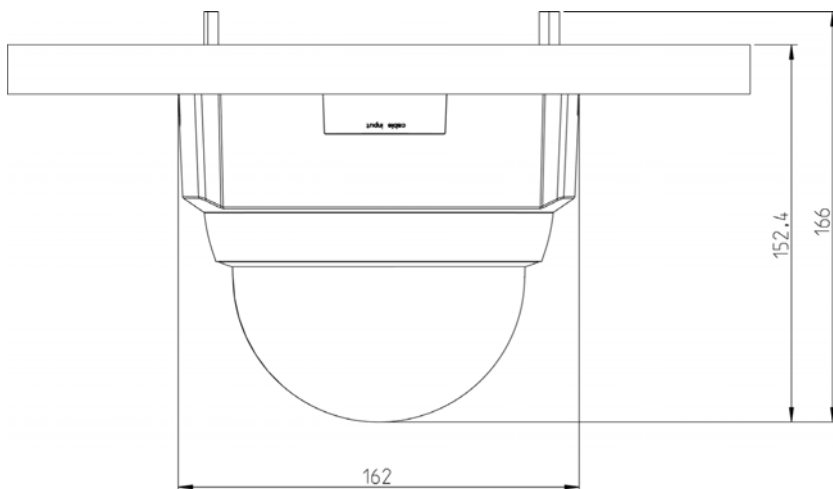
FRANCAIS

### 1 Contenu de l'emballage

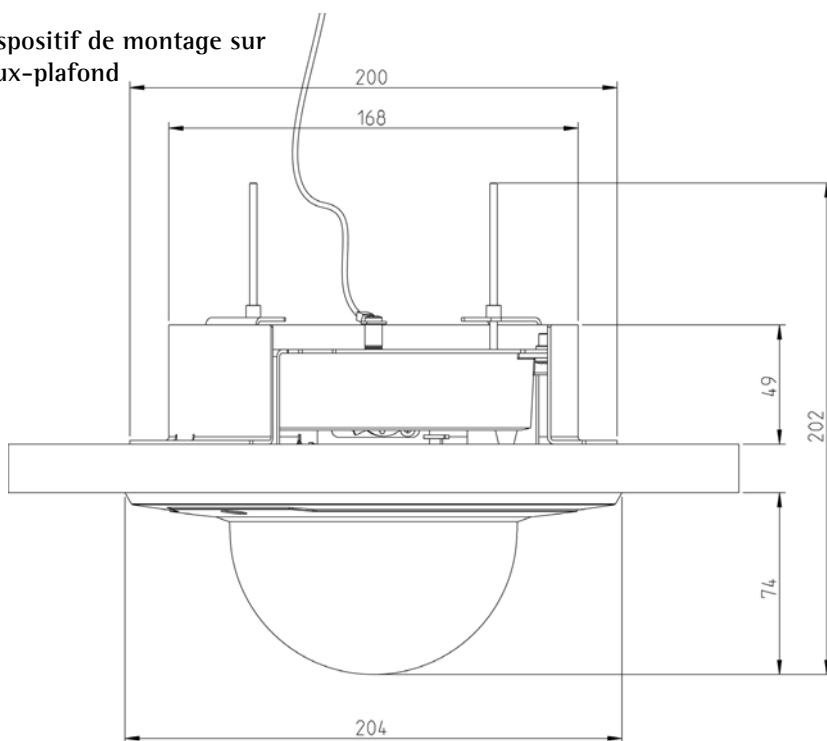
Article	Modèles/variantes/remarques
Caméra réseau	<ul style="list-style-type: none"> <li>• AXIS 215 PTZ 50 Hz (PAL)</li> <li>• AXIS 215 PTZ 60 Hz (NTSC)</li> </ul>
Câble d'alimentation	12 V CC
Câble d'alimentation sec- teur (dépend du pays)	<ul style="list-style-type: none"> <li style="width: 50%;">• Europe</li> <li style="width: 50%;">• États-Unis/Japon</li> <li style="width: 50%;">• Royaume-Uni</li> <li style="width: 50%;">• Argentine</li> <li style="width: 50%;">• Australie</li> <li style="width: 50%;">• Corée</li> </ul>
Connecteur 4 broches	Pour connecter des équipements externes au connecteur pour terminaux E/S
Montage sur faux-plafond	1 support intérieur, 1 support extérieur
2 dômes en plastique	1 pour le montage en saillie 1 pour le montage sur faux-plafond
Tournevis	Resitorx T20
Kit de vis	<ul style="list-style-type: none"> <li style="width: 50%;">• 1 fil de sécurité 1m</li> <li style="width: 50%;">• 4 vis M4x10</li> <li style="width: 50%;">• 2 chevilles 30 x 3,4-4 mm</li> <li style="width: 50%;">• 1 vis M4x4</li> <li style="width: 50%;">• 2 vis ST4.2x38</li> <li style="width: 50%;">• 2 vis M4x10 Resitorx</li> </ul>
Modèle	Utilisez le pour marquer les positions des éléments pour le montage en saillie/sur faux-plafond
CD	CD AXIS Network Video Product avec la documentation du produit, les outils d'installation et d'autres logiciels
Documentation imprimée	Guide d'installation de l'AXIS 215 PTZ (le présent document) Document de garantie d'Axis

## 2 Présentation du matériel

### Dispositif de montage en saillie



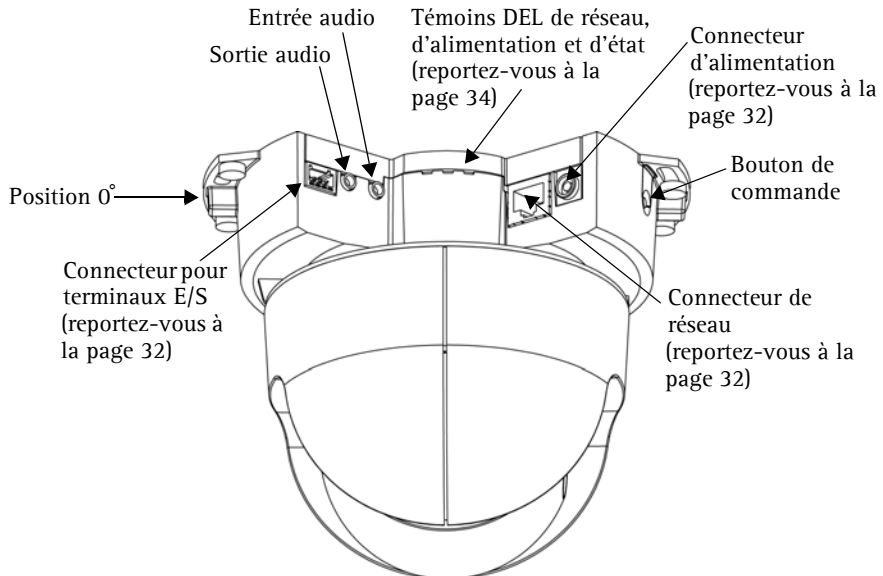
### Dispositif de montage sur faux-plafond



## Poids

- Caméra 0,60 kg (1,32 livre)
- Support pour faux-plafond 0,54 kg (1,19 livre)
- Capot pour faux-plafond 0,12 kg (0,26 livre)
- Capot du support de montage en saillie 0,13 kg (0,29 livre)
- Câble d'alimentation, avec câble secteur: 0,43 kg (0,95 livre)

## Connecteurs Et boutons



## 3 Montage

- **IMPORTANT !** - L'AXIS 215 PTZ est conçue pour une utilisation intérieure et extérieure. Pour pouvoir être utilisée à l'extérieur, la caméra doit être placée dans un caisson de protection. Visitez le site [www.axis.com](http://www.axis.com) pour plus d'informations.

Ne pas utiliser la bulle du dôme si la caméra est installée dans un caisson de protection car l'utilisation de deux bulles réduit la qualité de l'image et donne une image trouble.

## Position avant

L'AXIS 215 PTZ peut pivoter à  $\pm 180^\circ$  à partir de la position  $0^\circ$ , c'est-à-dire à partir de la languette en métal, comme indiqué dans l'illustration ci-dessus. Cette position peut être considérée comme la face « avant » de la caméra. La caméra revient à cette position initiale à chaque (re)démarrage.

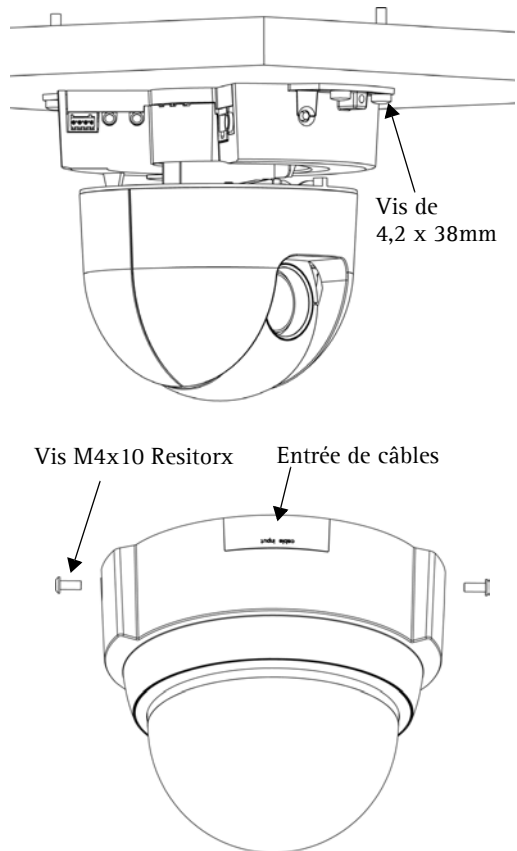
L'AXIS 215 PTZ peut être montée de deux façons différentes:

- Montage en saillie, auquel cas l'appareil est fixé directement au matériau du plafond
- Montage de l'appareil encastré sur un plafond, qui nécessite de percer un orifice dans le plafond et d'utiliser le support pour faux-plafond fourni

## Montage en saillie

Si les câbles nécessaires sont également en saillie, ils doivent passer par l'élément d'entrée de câbles amovible sur le grand capot du dôme en plastique.

1. Utilisez le modèle fourni pour marquer la position des vis qui fixeront la caméra au plafond. Si nécessaire, percez des trous pour les chevilles de montage fournies.
2. Utilisez les 2 vis 4,2 x 38 fournies pour fixer la caméra au plafond.
3. Connectez la caméra à votre réseau à l'aide d'un câble de réseau blindé.
4. Si vous le souhaitez, connectez des dispositifs d'entrée/sortie externes, par exemple des dispositifs d'alarme. Reportez-vous à la page 32 pour plus d'informations sur les broches du connecteur pour terminaux.
5. Si vous le souhaitez, connectez un haut-parleur actif et/ou un microphone externe.
6. Branchez l'alimentation intérieure fournie au connecteur d'alimentation.
7. À l'aide du tournevis fourni et des 2 vis M4x10 Resitorx, fixez le grand capot de dôme.



## Remarques:

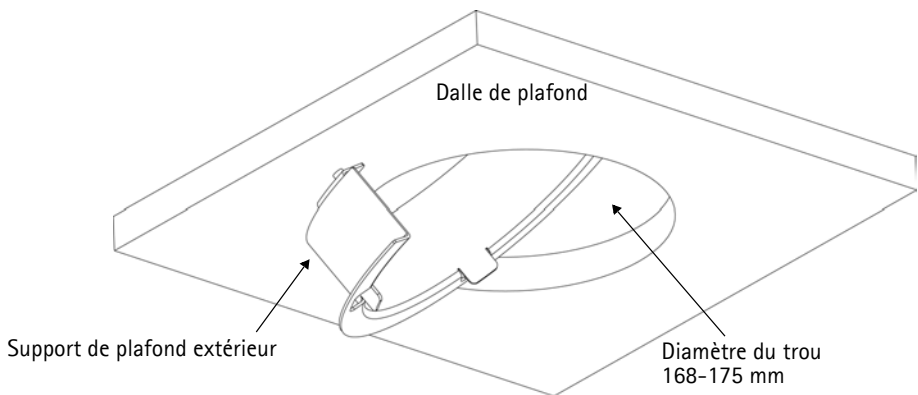
- Lorsque l'appareil est sous tension, vérifiez que les témoins DEL indiquent les conditions correctes. Pour plus d'informations, consultez le tableau à la page 34.
- Le capot du dôme peut être monté avec la vitre en plastique fumé ou transparent. Reportez-vous à la *Remplacement de la vitre du dôme* à la page 25.

## Montage sur un faux-plafond

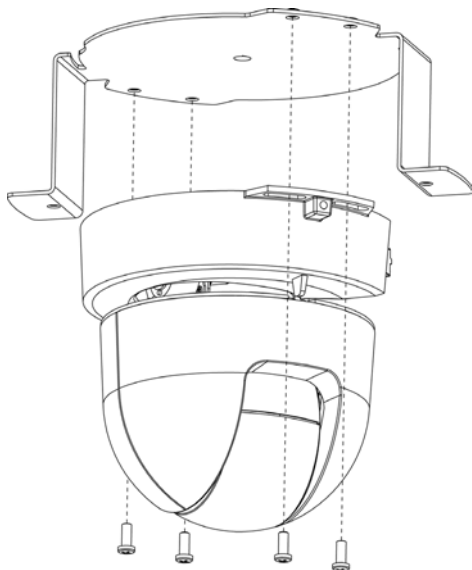
1. Si possible, retirez la dalle de plafond à laquelle le support pour faux-plafond doit être fixé.
2. Utilisez le gabarit fourni pour marquer la position du trou sur la dalle de plafond. Retirez la protection, fixez le gabarit à la dalle de plafond et découpez autour du gabarit.

**Remarque:** Le poids total de la caméra et du support plafond est de 1,26 kg. Vérifiez que le matériau du plafond est assez résistant pour supporter ce poids. L'épaisseur du plafond doit être de 20-60 mm.

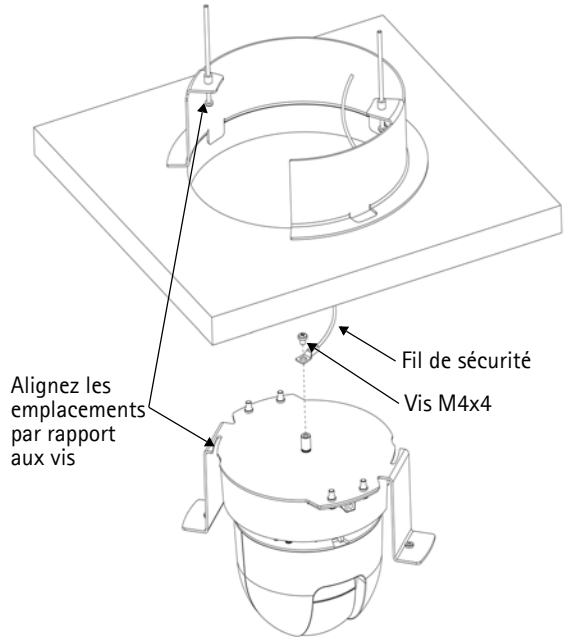
3. Inclinez le support de plafond extérieur et insérez-le dans le trou, puis mettez-le en place. Le support doit être positionné de façon à ce que les 3 pattes verticales soient orientées vers le bas du trou.



4. Faites descendre l'ensemble des câbles requis (réseau, alimentation, etc.) par le trou. Le raccordement est alors possible.
5. À l'aide des 4 vis M4x10 fournies, montez la caméra sur le support de plafond intérieur, comme illustré ci-dessous.

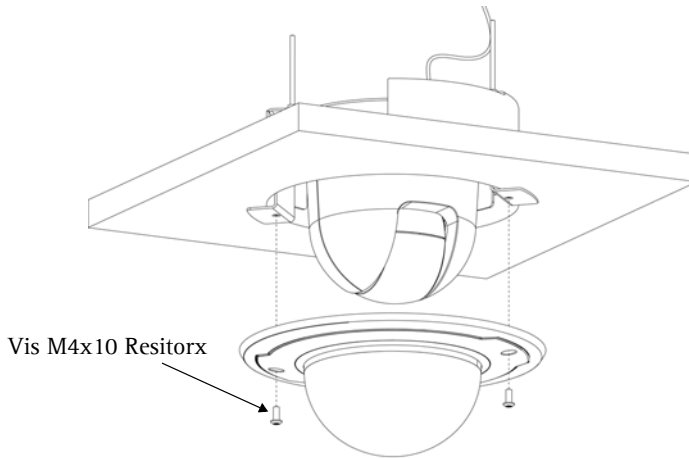


6. Réglez la longueur du fil de sécurité fourni et fixez-le au support intérieur et au plafond plein au-dessus du faux-plafond.
7. Connectez la caméra à votre réseau à l'aide d'un câble de réseau blindé.
8. Si vous le souhaitez, connectez des dispositifs d'entrée/sortie externes, par exemple des dispositifs d'alarme. Reportez-vous à la page 32 pour plus d'informations sur les broches du connecteur pour terminaux.
9. Si vous le souhaitez, connectez un haut-parleur actif et/ou un microphone externe.
10. Branchez l'alimentation intérieure fournie au connecteur d'alimentation de la caméra.
11. Soulevez et tournez le support intérieur (avec la caméra) de façon à ce que les vis situées sur le support extérieur s'insèrent dans les emplacements prévus sur le support intérieur. Veillez à ce que les vis soient parfaitement enfoncées dans leur emplacement.
12. Serrez délicatement les vis de façon à ce que la dalle de plafond soit maintenue entre les supports intérieur et extérieur. Vérifiez que les supports ne bloquent aucun câble.



**Remarque:** Lorsque l'appareil est sous tension, vérifiez que les témoins DEL indiquent les conditions correctes. Pour plus d'informations, consultez le tableau à la page 34.

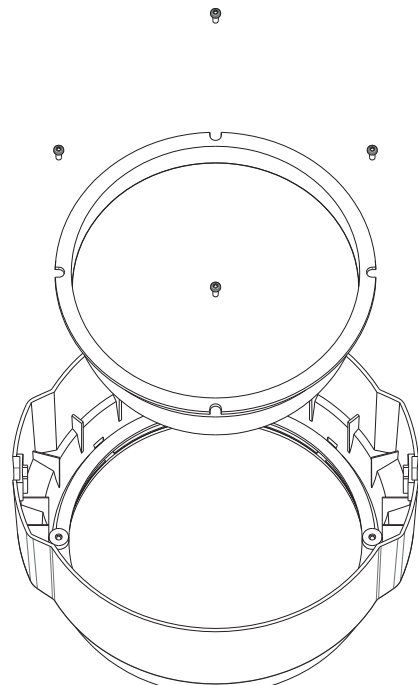
13. À l'aide du tournevis fourni et des 2 vis M4x10 Resitorx, fixez le petit capot de dôme.



## Remplacement de la vitre du dôme

Le capot du dôme peut être monté avec la vitre en plastique fumé ou transparent. Pour remplacer le capot, utilisez un tournevis Torx T6. Retirez les 4 vis situées à l'intérieur du dôme, comme illustré ci-contre.

Manipulez la vitre en plastique avec précaution pour ne pas la rayer. Pour cette manipulation, il est recommandé de porter des gants en coton.





## 4 Attribution d'une adresse IP

Aujourd'hui, la plupart des réseaux comportent un serveur DHCP qui attribue automatiquement des adresses IP aux dispositifs connectés. Si ce n'est pas le cas de votre réseau, l'AXIS 215 PTZ utilisera l'adresse IP par défaut 192.168.0.90.

Si vous souhaitez affecter une adresse IP statique, sous Windows nous recommandons l'utilisation de l'application **AXIS IP Utility** ou de l'application **AXIS Camera Management**. Selon le nombre de caméras à installer, utilisez la méthode qui vous convient le mieux.

Ces deux applications gratuites sont disponibles sur le CD de la caméra vidéo réseau Axis fourni avec ce produit. Vous pouvez également les télécharger à partir du site [www.axis.com/techsup](http://www.axis.com/techsup).

Méthode	Recommandée pour	Système d'exploitation
 AXIS IP Utility Voir page 27	Une seule caméra Les petites installations	Windows
 AXIS Camera Management Voir page 28	Plusieurs caméras Les grandes installations Installation sur un autre sous-réseau	Windows 2000 Windows XP Pro Windows 2003 Server

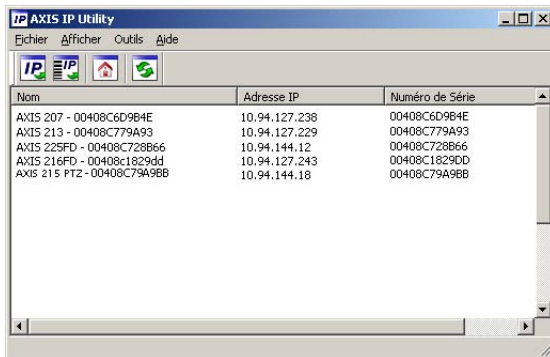
### Remarques:

- En cas d'échec de l'attribution de l'adresse IP, vérifiez qu'aucun pare-feu ne bloque l'opération.
- Pour connaître les autres méthodes d'affectation ou de repérage de l'adresse IP de la caméra AXIS 215 PTZ, par exemple sur d'autres systèmes d'exploitation, reportez-vous à la page 31.

## AXIS IP Utility - Une seule caméra/petite installation

L'utilitaire AXIS IP Utility détecte et affiche automatiquement les périphériques Axis de votre réseau. Cette application sert également à définir manuellement une adresse IP statique.


Notez que l'ordinateur exécutant l'application AXIS IP Utility doit se trouver sur le même segment de réseau (sous-réseau physique) que la caméra AXIS 215 PTZ.



### Détection automatique

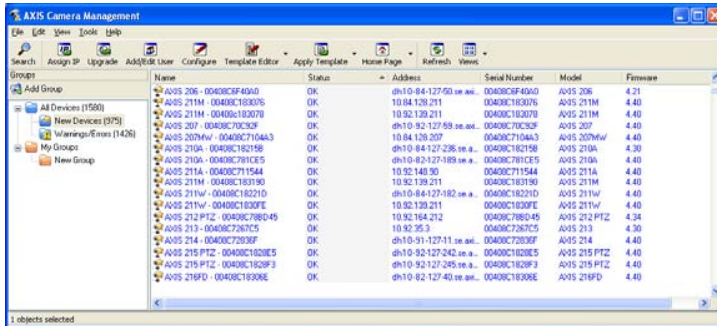
1. Vérifiez que la caméra AXIS 215 PTZ est connectée au réseau et que l'alimentation est activée.
2. Démarrez AXIS IP Utility.
3. Lorsque l'icône de la caméra apparaît dans la fenêtre, double-cliquez dessus pour ouvrir la page d'accueil correspondante.
4. Consultez la page 29 pour savoir comment définir le mot de passe.

### Définissez manuellement l'adresse IP (optionnel)

1. Trouvez une adresse IP inutilisée sur le même segment de réseau que celui de votre ordinateur.
2. Sélectionnez le nom abrégé du produit dans la liste.
3. Cliquez sur le bouton **Paramétrer une nouvelle adresse IP** de l'outil sélectionné. 
4. Cliquez sur le bouton **Paramétrer** et suivez les instructions.
5. Cliquez sur le bouton **Page d'accueil** pour accéder aux pages Web de la caméra.
6. Consultez la page 29 pour savoir comment définir le mot de passe.

## AXIS Camera Management – Plusieurs caméras/grandes installations


AXIS Camera Management peut détecter automatiquement plusieurs dispositifs Axis, afficher les états de connexion, gérer les mises à niveau du microcode et définir les adresses IP.

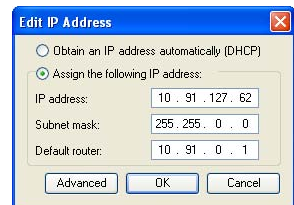


### Détection automatique

1. Vérifiez que la caméra est connectée au réseau et que l'alimentation est activée.
2. Démarrez AXIS Camera Management. Double-cliquez sur l'icône de l'AXIS 215 PTZ lorsqu'elle apparaît dans la fenêtre de façon à ouvrir la page d'accueil.
3. Consultez la page 29 pour savoir comment définir le mot de passe.


### Attribuer une adresse IP à un seul dispositif

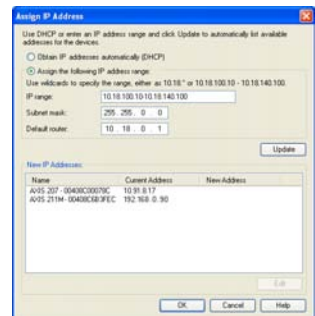
1. Sélectionnez AXIS 215 PTZ dans l'application AXIS Camera Management, puis cliquez sur le bouton **Assign IP** (Affecter une IP). 
2. Sélectionnez **Assign the following IP address** (Affecter l'adresse IP suivante) et saisissez la plage d'adresse IP, le masque de sous-réseau et le routeur par défaut que le dispositif utilisera.
3. Cliquez sur le bouton **OK**.



### Attribuer des adresses IP à plusieurs dispositifs

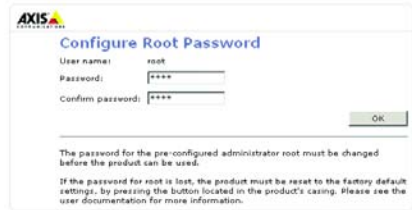
AXIS Camera Management accélère le processus d'affectation d'adresses IP sur plusieurs appareils en suggérant les adresses IP parmi une plage spécifiée.

1. Sélectionnez les appareils à configurer (il peut s'agir de plusieurs modèles), puis cliquez sur le bouton **Assign IP** (Affecter une adresse IP). 
2. Sélectionnez **Assign the following IP address range** (Affecter la plage d'adresses IP suivante) et saisissez la plage d'adresses IP, le masque de sous-réseau et le routeur par défaut que les dispositifs utiliseront.
3. Cliquez sur le bouton **OK**.



## 5 Définition du mot de passe

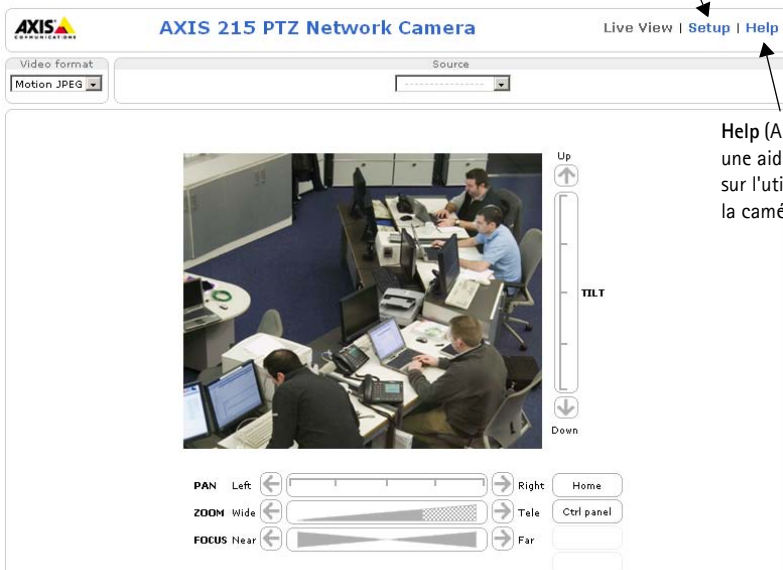
Si vous accédez à la caméra AXIS 215 PTZ pour la première fois, la boîte de dialogue **Configure Root Password** (Configurer le mot de passe root) s'affiche.



1. Entrez un mot de passe et entrez-le une seconde fois pour en confirmer l'orthographe. Cliquez sur **OK**.
2. Saisissez le nom d'utilisateur root dans la boîte de dialogue lorsque vous y êtes invité.  
Remarque : le nom d'utilisateur par défaut de l'administrateur, à savoir root, ne peut pas être supprimé.
3. Entrez le mot de passe comme expliqué ci-dessus, puis cliquez sur **OK**. Si vous avez oublié votre mot de passe, vous devrez rétablir les paramètres d'usine par défaut de la caméra AXIS 215 PTZ. Reportez-vous à la page 34.
4. Si nécessaire, cliquez sur **Yes (Oui)** pour installer AMC (Axis Media Control) afin de pouvoir visualiser le flux vidéo dans Internet Explorer. Pour ce faire, vous devrez être connecté à votre ordinateur avec les droits d'administrateur.

La page **Live View** (Vidéo en direct) de la caméra AXIS 215 PTZ s'affiche, avec des liens vers les outils de configuration pour adapter la caméra à vos besoins.

**Setup (Configuration):** contient tous les outils nécessaires pour adapter la caméra à vos besoins.



**Help (Aide):** affiche une aide en ligne sur l'utilisation de la caméra.

## Accès à la caméra AXIS 215 PTZ depuis Internet

Une fois installée, votre caméra AXIS 215 PTZ est accessible depuis votre réseau local (LAN). Pour accéder à la caméra depuis Internet, vous devez configurer les routeurs réseau afin d'autoriser l'entrée de données, ce qui se fait généralement sur un port spécifique. Consultez la documentation de votre routeur pour obtenir davantage d'instructions.

Pour de plus amples informations, visitez le site de support d'Axis à l'adresse [www.axis.com/techsup](http://www.axis.com/techsup).

## Autres méthodes de définition de l'adresse IP

Le tableau ci-dessous indique les autres méthodes permettant de définir ou de déterminer l'adresse IP. Toutes les méthodes sont activées par défaut et désactivables.

	Système d'exploitation	Remarques
UPnP™	Windows (ME ou XP)	Lorsque la caméra est activée sur votre ordinateur, elle est détectée et ajoutée automatiquement au dossier Favoris réseau.
Bonjour	MAC OS X (10.4 ou version ultérieure)	Applicable aux navigateurs prenant en charge Bonjour. Accédez au raccourci de Bonjour dans votre navigateur (par exemple, Safari), puis cliquez sur le lien pour accéder aux pages Web de la caméra.
AXIS Dynamic DNS Service	Tous	Service Axis gratuit vous permettant d'installer rapidement votre caméra en toute simplicité. Nécessite une connexion Internet sans proxy HTTP Pour plus d'informations, visitez le site <a href="http://www.axiscam.net">www.axiscam.net</a> .
ARP/Ping	Tous	Reportez-vous aux instructions ci-dessous. La commande doit être saisie dans les 2 minutes suivant la connexion de l'alimentation à la caméra.
Serverur DHCP	Tous	Pour consulter les pages administratives du serveur DHCP réseau, reportez-vous à la documentation du serveur.

### Définition de l'adresse IP à l'aide d'ARP/Ping

1. Trouvez une adresse IP sur le même segment de réseau que celui de votre ordinateur.
2. Repérez le numéro de série (S/N) sur l'étiquette de la caméra AXIS 215 PTZ.
3. Ouvrez une invite de commande sur votre ordinateur et entrez les commandes suivantes:

Syntaxe pour Windows	Exemple pour Windows
arp -s <adresse IP> <numéro de série> ping -l 408 -t <adresse IP>	arp -s 192.168.0.125 00-40-8c-18-10-00 ping -l 408 -t 192.168.0.125
Syntaxe pour UNIX/Linux/Mac	Exemple pour UNIX/Linux/Mac
arp -s <adresse IP > <numéro de série> temp ping -s 408 <adresse IP>	arp -s 192.168.0.125 00:40:8c:18:10:00 temp ping -s 408 192.168.0.125

4. Vérifiez que le câble réseau est connecté à la caméra, puis démarrez/redémarrez cette dernière en débranchant, puis en rebranchant l'alimentation.
5. Fermez la commande d'invite quand vous voyez « Reply from 192.168.0.125: ... » (Réponse de 192.168.0.125 : ...) ou un message similaire.
6. Dans votre navigateur, tapez <http://<adresse IP>> dans le champ Emplacement/Adresse, puis appuyez sur Entrée sur le clavier.

### Remarques:

- Pour ouvrir une invite de commande sous Windows : dans le menu Démarrer, sélectionnez Exécuter... et tapez cmd (ou commande sous Windows 98/ME). Cliquez sur OK.
- Pour utiliser la commande ARP sur Mac OS X, utilisez l'utilitaire Terminal dans Application > Utilitaires.

## Connecteurs de l'unité

**Connecteur de réseau** - Connecteur Ethernet RJ-45. Supporte l'Alimentation Électrique par Câble Ethernet (PoE) Il est recommandé d'utiliser des câbles blindés.

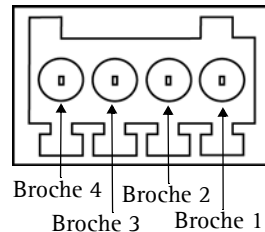
**Connecteur d'alimentation** - Miniconnecteur CC. 12 V CC  $\pm 5\%$ , jusqu'à 14.5 W. Reportez-vous à l'étiquette du produit pour connaître la connexion  $\pm$ .

**Entrée audio** - 3.5 mm entrée pour microphone mono , ou ligne entrée en signale mono (le canal à gauche est utilisé pour le signal stéréo).

**Sortie audio** - sortie audio qui peut être connecté à un système d'adresse publique (PA) ou haut parleur actif avec amplificateur intégré. Une paire d'écouteur peut être aussi connecté. Un connecteur stéréo doit être utilisé pour la sortie audio.

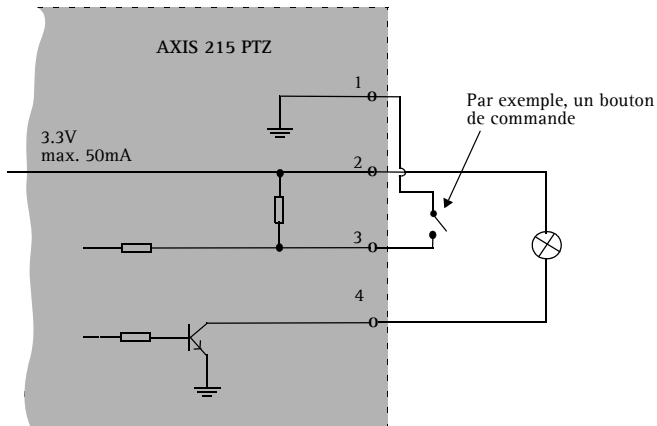
**Connecteur pour terminaux E/S** - Utilisé dans les applications, par exemple pour la détection de mouvement, le déclenchement d'événements, l'enregistrement à intervalles, les notifications d'alarme, etc. Il sert d'interface aux éléments suivants:

- 1 sortie transistor: permet de connecter des dispositifs externes, comme des relais ou DELs. Les dispositifs connectés peuvent être activés à l'aide d'AXIS VAPIX API, des boutons de sortie sur la page Live View (Vidéo en direct) ou à l'aide d'un type d'événement. La sortie est considérée comme étant active (Event Configuration (Configuration d'événement) > Port Status (État du port)) si le dispositif d'alarme est activé.
- 1 entrée numérique: entrée d'alarme utilisée pour connecter des dispositifs pouvant passer d'un circuit ouvert à un circuit fermé, par exemple : les détecteurs infrarouge passifs, les contacts de porte/fenêtre, les détecteurs de bris de verre, etc. Lorsqu'un signal est reçu, l'état change et l'entrée devient active (elle apparaît sous Event Configuration (Configuration d'événement) > Port Status (État du port)).
- Alimentation auxiliaire et mise à la terre.



Fonction	Numéro de broche	Remarques	Spécifications
GND	1	Terre.	
Alimentation auxiliaire 3.3V CC	2	Cette broche peut également servir à alimenter le matériel auxiliaire.	Intensité maximale: 50 mA.
Entrée numérique	3	Connectez-la au GND pour l'activer ou laissez-la flotter (ou déconnectée) pour la désactiver.	Ne doit pas être exposée à une tension supérieure à 10 V CC
Sortie transistor	4	Utilise un transistor NPN à collecteur ouvert avec émetteur connecté au contact à la masse. En cas d'utilisation avec un relais externe, une diode doit être connectée en parallèle avec la charge, comme protection contre les tensions transitoires.	Charge maximale = 50mA Tension maximale = 24VCC (en entrée)

### Diagramme de connexion



## Témoins DEL

DEL	Couleur	Indication
Réseau	Vert	Continu en cas de connexion à un réseau 100 Mbits/s. Clignote en cas d'activité réseau.
	Orange	Continu en cas de connexion à un réseau 10 Mbits/s. Clignote en cas d'activité réseau.
	Éteint	Pas de connexion à réseau.
État	Vert	Vert continu en cas de fonctionnement normal.
	Orange	En continu pendant le démarrage, la réinitialisation des valeurs d'usine ou la restauration des paramètres.
	Rouge	Clignote lentement en cas d'échec de la mise à niveau.
Alimentation	Vert	Fonctionnement normal.
	Orange	Clignote en vert/orange pendant la mise à niveau du microprogramme.

## Rétablissement des paramètres d'usine par défaut

Procédez comme suit pour revenir aux paramètres par défaut définis en usine et réinitialiser l'adresse IP:

1. Débranchez l'alimentation de la caméra.
2. Maintenez le bouton de commande enfoncé et rebranchez l'alimentation.
3. Maintenez le bouton enfoncé jusqu'à ce que le témoin DEL d'état passe à l'orange (cela peut prendre 15 secondes), puis relâchez le bouton.
4. Lorsque le témoin DEL d'état émet une lumière verte (ce qui peut prendre 1 minute), les paramètres par défaut de la caméra ont été rétablis.
5. Réinstallez la caméra AXIS 215 PTZ à l'aide de l'une des méthodes décrites dans ce document.

Il est également possible de rétablir les paramètres usine par défaut d'origine via l'interface Web. Pour plus d'informations, reportez-vous à l'aide en ligne ou au Manuel de l'utilisateur.

## Plus d'informations

Le Manuel de l'utilisateur est disponible sur le site Web d'Axis, [www.axis.com](http://www.axis.com), ou sur le CD du produit vidéo réseau Axis fourni avec la caméra.

### Conseil:

Visitez le site [www.axis.com/techsup](http://www.axis.com/techsup) pour vérifier si des microcodes mis à jour sont disponibles pour votre caméra AXIS 215 PTZ. Pour connaître la version du microcode actuellement installée, reportez-vous à la page Web Basic Configuration (Configuration de base) dans les outils de configuration du produit.

# AXIS 215 PTZ Installationsanleitung

In dieser Anleitung wird die Installation der AXIS 215 PTZ-Netzwerkamera in einem Netzwerk beschrieben. Alle weiteren Hinweise zur Verwendung des Produkts finden Sie im Benutzerhandbuch, das auf der mitgelieferten CD enthalten ist und auf unserer Webseite unter [www.axis.com/techsup](http://www.axis.com/techsup) zur Verfügung steht.

## Installationsschritte

1. Prüfen Sie, ob alle in der nachfolgenden Liste aufgeführten Komponenten vorhanden sind.
2. Hardwareübersicht (siehe page 36).
3. Hardware installieren (siehe page 37).
4. IP-Adresse zuweisen (siehe page 42).
5. Kennwort festlegen (siehe page 45).

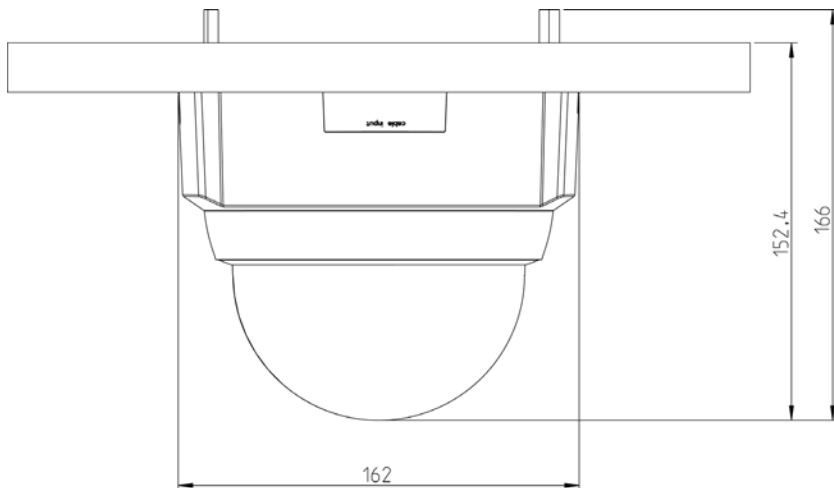
**Wichtiger Hinweis!**  
Verwenden Sie dieses Produkt nur gemäß den geltenden rechtlichen Bestimmungen.

## 1 Lieferumfang

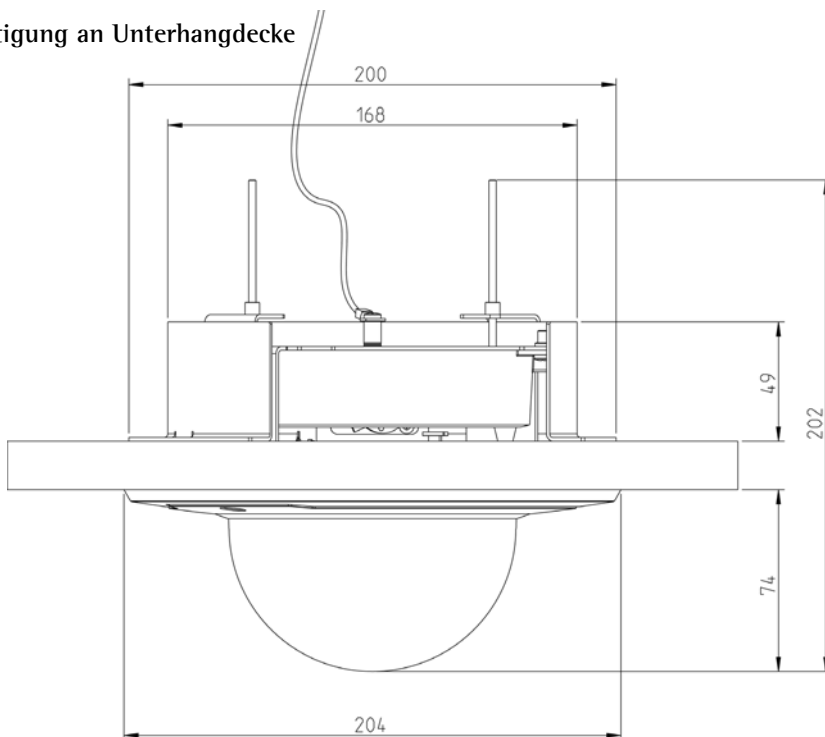
Komponente	Modelle/Varianten/Anmerkungen
Netzwerkamera	<ul style="list-style-type: none"> <li>• AXIS 215 PTZ 50 Hz (PAL)</li> <li>• AXIS 215 PTZ 60 Hz (NTSC)</li> </ul>
Netzteil	12 V Gleichstrom
Netzkabel für Netzteil (landesspezifisch)	<ul style="list-style-type: none"> <li>• Europa</li> <li>• Großbritannien</li> <li>• Australien</li> <li>• USA/Japan</li> <li>• Argentinien</li> <li>• Korea</li> </ul>
4-poliger Anschlussblock	Zum Anschluss externer Geräte an den E/A-Anschluss
Montagesatz für die Befestigung an einer Unterhangdecke	1 innere Halterung, 1 äußere Halterung
2 Kunststoffhauben	1 x für direkte Deckenbefestigung 1 x für die Befestigung an einer Unterhangdecke
Schraubendreher	Resitorx T20
Schraubensatz	<ul style="list-style-type: none"> <li>• 1 x Sicherungskabel 1 m</li> <li>• 2 x Dübel 30 x 3,4-4 mm</li> <li>• 2 x Schrauben ST 4,2 x 38</li> <li>• 4 x Schrauben M4x10</li> <li>• 1 x Schraube M4x4</li> <li>• 2 x Schrauben M4x10 Resitorx</li> </ul>
Vorlage	Zur Positionsmarkierung bei der direkten Deckenbefestigung bzw. der Befestigung an der Unterhangdecke
CD	CD für AXIS-Netzwerkvideoprodukte einschließlich Produktdokumentation, Installationstools und anderer Software
Gedruckte Dokumente	AXIS 215 PTZ Installationshandbuch (dieses Dokument) Axis-Garantieerklärung

## 2 Hardwareübersicht

### Direkte Deckenbefestigung



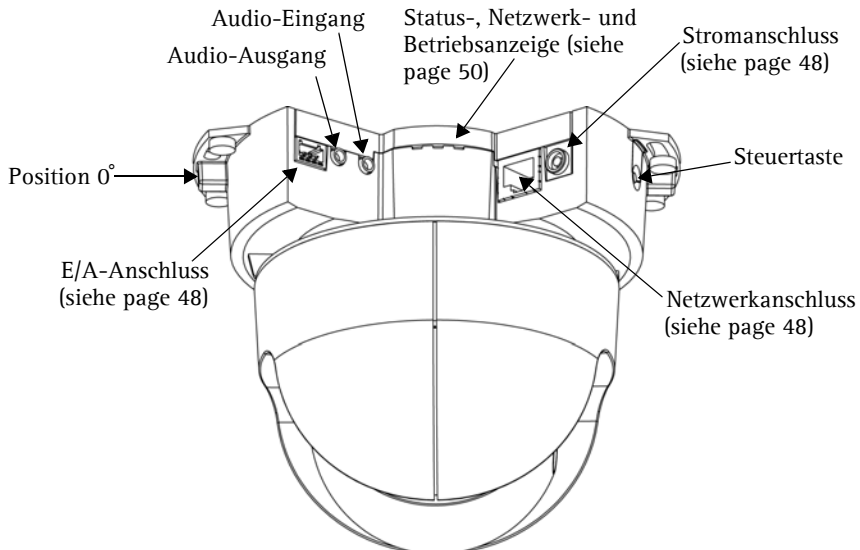
### Befestigung an Unterhangdecke



### Gewichtsangaben

- Kamera 0,60 kg
- Unterhangdeckenhalterung 0,54 kg
- Abdeckung für Unterhangdeckenbefestigung 0,12 kg
- Abdeckung für direkte Deckenbefestigung 0,13 kg
- Netzteil mit Netzkabel 0,43 kg

### Anschlüsse und Tasten



DEUTSCH

### 3 Hardware installieren

- **WICHTIG!** - Die AXIS 215 PTZ ist für die Verwendung sowohl in Innenräumen als auch für den Außeneinsatz geeignet. Um die Kamera im Freien zu verwenden, muss sie in einem zugelassenen Außengehäuse installiert werden. Auf unserer Homepage unter [www.axis.com](http://www.axis.com) finden Sie weitere Informationen über Außengehäuse.

Benutzen Sie die Kamerakuppel nicht wenn die Kamera in einem Außengehäuse montiert wird, da zwei Kuppeln die Bildqualität reduzieren und Unschärfen erzeugen.

### Die Ausgangsposition

Die AXIS 215 PTZ kann aus der Ausgangsposition 0° (am Metallstreifen links von den Anschlüssen, siehe Abbildung) um  $\pm 180^\circ$  geschwenkt werden. Diese Position kann als "Vorderseite" der Kamera angesehen werden. Nach einem Neustart schwenkt die Kamera stets in diese Position zurück.

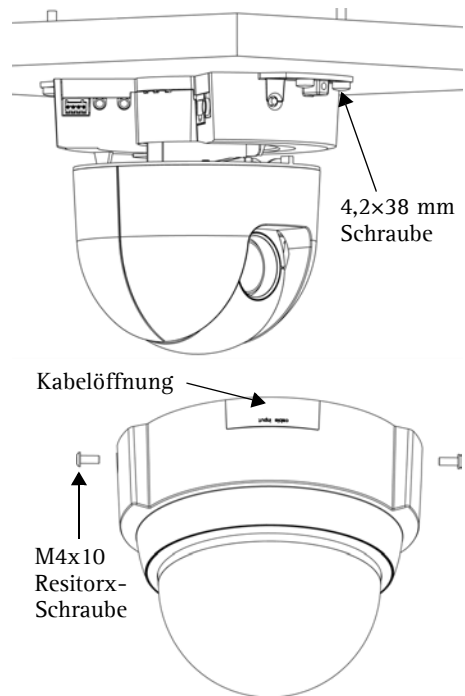
Die AXIS 215 PTZ kann auf zwei Arten angebracht werden:

- An einer Massivdecke, wobei das Gehäuse direkt an der Decke befestigt wird.
- Versenkt in eine Unterhangdecke, wobei ein Loch in die Decke geschnitten und das Kameragehäuse mit der mitgelieferten Halterung eingepasst wird.

## Direkte Deckenbefestigung

Falls die für die Kamera erforderliche Verkabelung ebenfalls an der Zimmerdecke angebracht werden muss, sollten die Kabel erst durch die Kabelöffnung der abnehmbaren Kunststoffkuppelhaube geführt werden.

1. Verwenden Sie die mitgelieferte Vorlage, um die Position der Schrauben für die Befestigung der Kamera zu markieren. Falls erforderlich, bohren Sie Löcher in die Decke, und setzen Sie die Dübel ein.
2. Befestigen Sie die Kamera mit Hilfe der beiden mitgelieferten 4,2×38-Schrauben an der Zimmerdecke.
3. Verbinden Sie die Kamera über ein abgeschirmtes Netzwerkabel mit dem Netzwerk.
4. Sie können zusätzlich externe Ein- und Ausgabegeräte wie Alarmanlagen anschließen. Informationen zur Anschlussbelegung finden Sie auf page 48.
5. Sie können zusätzlich einen Aktivlautsprecher und/oder ein externes Mikrofon anschließen.
6. Schließen Sie das mitgelieferte Netzteil für Innenräume an den Stromanschluss an.
7. Befestigen Sie die große Kuppelhaube mit den mitgelieferten M4x10 Resistorx-Schrauben und dem im Lieferumfang enthaltenen Schraubendreher.



## Hinweise:

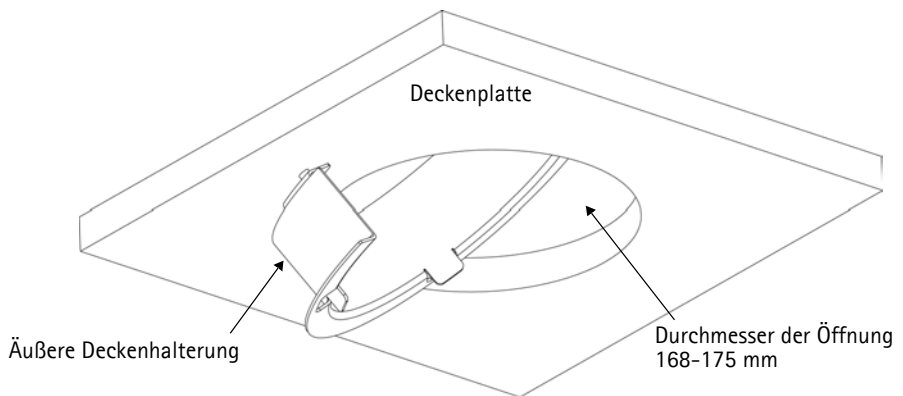
- Nachdem Sie die Stromversorgung angeschlossen haben, überprüfen Sie, ob die LED-Anzeigen den Betriebszustand korrekt wiedergeben. Weitere Informationen finden Sie in der Tabelle auf page 50.
- Die Kuppelhaube kann mit der Klarsicht- oder der Rauchglas-Kunststoffabdeckung verkleidet werden. (siehe *Kuppelabdeckung wechseln*, on page 41).
- Benutzen Sie die Kamerakuppel nicht wenn die Kamera in einem Außengehäuse montiert wird, da zwei Kuppeln die Bildqualität reduzieren und Unschärfen erzeugen.

## Befestigung an einer Unterhangdecke

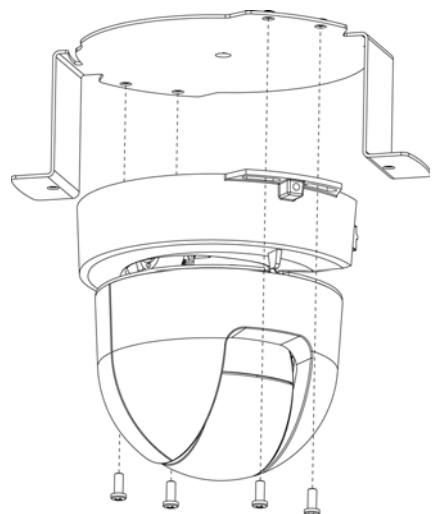
1. Entfernen Sie wenn möglich die Deckenplatte, an der die Unterhangdeckenhalterung befestigt werden soll.
2. Markieren Sie mit Hilfe der mitgelieferten Schablone die Position für die Öffnung in der Deckenplatte. Entfernen Sie das Schutzpapier der Schablone, und bringen Sie sie an der Deckenplatte an. Schneiden Sie um die Schablone herum die Öffnung aus.

**Hinweis:** Das Gesamtgewicht von Kamera und Deckenhalterung beträgt 1,26 kg. Überprüfen Sie, ob die Decke stabil genug ist, um dieses Gewicht tragen zu können. Die Decke sollte zwischen 20 und 60 mm dick sein.

3. Setzen Sie die äußere Deckenhalterung schräg in die Öffnung ein, und bringen Sie sie anschließend in Position. Dabei müssen die drei senkrechten Laschen nach unten zeigen.



4. Ziehen Sie alle erforderlichen, anschlussfertigen Kabel (Netzwerk, Strom usw.) durch die Öffnung.
5. Befestigen Sie die Kamera wie dargestellt mit den vier M4x10-Schrauben an der inneren Deckenhalterung.



6. Passen Sie die Länge des mitgelieferten Sicherungskabels an, und befestigen Sie es an der inneren Halterung und an der Massivdecke, die sich über der Unterhandecke befindet.

7. Verbinden Sie die Kamera über ein geschirmtes Netzwerkkabel mit dem Netzwerk.

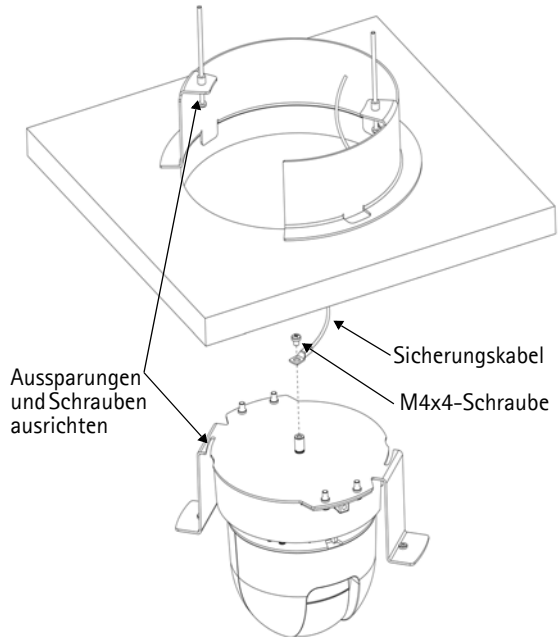
8. Sie können zusätzlich externe Ein- und Ausgabegeräte wie Alarmanlagen anschließen. Informationen zur Anschlussbelegung finden Sie auf page 48.

9. Sie können zusätzlich einen Aktivlautsprecher und/oder ein externes Mikrofon anschließen.

10. Schließen Sie das mitgelieferte Netzteil an den Stromanschluss der Kamera an.

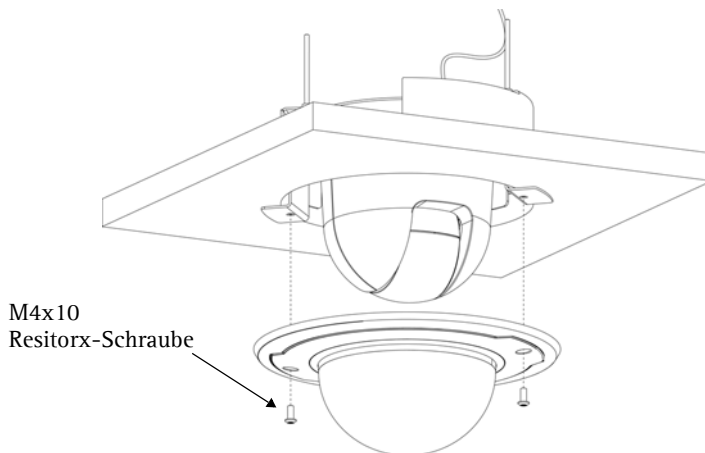
11. Heben Sie die innere Halterung mit der Kamera an, und drehen Sie sie so, dass die Schrauben an der äußeren Halterung in die Aussparungen der inneren Halterung eingeführt werden. Dabei müssen die Schrauben an das Ende der Schlitzte stoßen.

12. Ziehen Sie die Schrauben vorsichtig fest, sodass die Deckenplatte zwischen der inneren und der äußeren Halterung gehalten wird. Achten Sie darauf, dass kein Kabel zwischen den Halterungen eingeklemmt ist.



**Hinweis:** Nachdem Sie die Stromversorgung angeschlossen haben, überprüfen Sie, ob die LED-Anzeigen den Betriebszustand korrekt wiedergeben. Weitere Informationen finden Sie in der Tabelle auf page 50.

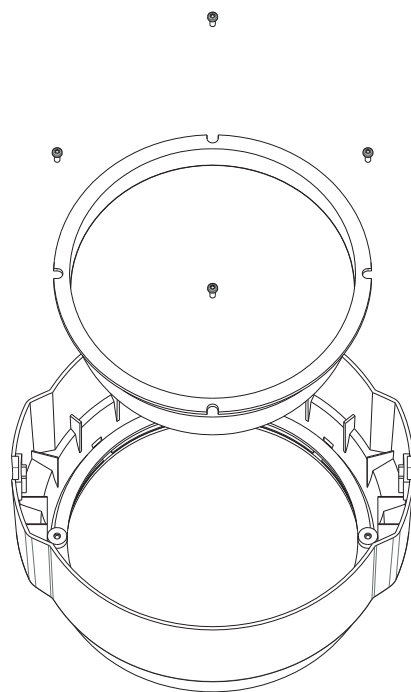
13. Befestigen Sie die kleinere Kuppelhaube mit den mitgelieferten M4x10 Resitorx-Schrauben und dem im Lieferumfang enthaltenen Schraubendreher.



## Kuppelabdeckung wechseln

Die Kuppelhaube kann mit der Klarsicht- oder der Rauchglas-Kunststoffabdeckung verkleidet werden. Verwenden Sie zum Wechseln der Abdeckungen einen Torx T6-Schraubendreher, um die 4 Schrauben innerhalb der Kuppel wie in der Abbildung gezeigt zu entfernen.

Achten Sie beim Umgang mit der Kunststoffabdeckung darauf, dass diese nicht durch Kratzer beschädigt wird. Um Beschädigungen auszuschließen, wird das Tragen von Baumwollhandschuhen empfohlen.





## 4 IP-Adresse zuweisen

In den meisten Netzwerken ist heutzutage ein DHCP-Server eingebunden, der angeschlossenen Geräten automatisch IP-Adressen zuweist. Wenn Ihr Netzwerk über keinen DHCP-Server verfügt, wird für die AXIS 215 PTZ die Standard-IP-Adresse 192.168.0.90 verwendet.

Zum Zuweisen einer statischen IP-Adresse stehen unter Windows die Programme **AXIS IP Utility** und **AXIS Camera Management** zur Verfügung. Verwenden Sie die Methode, die für die gewünschte Anzahl der zu installierenden Kameras geeignet ist.

Beide Anwendungen stehen kostenlos auf der mitgelieferten CD für Axis-Netzwerkvideoprodukte zur Verfügung oder können unter [www.axis.com/techsup](http://www.axis.com/techsup) heruntergeladen werden.

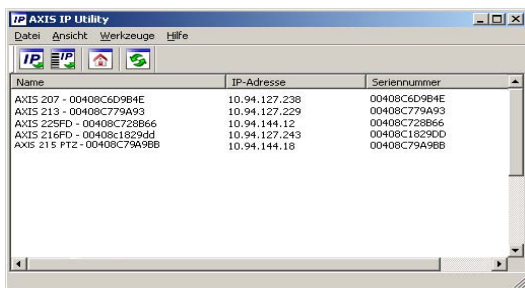
Methode	Empfohlen für	Betriebssystem
 AXIS IP Utility Siehe page 43	Einzelne Kamera Kleine Installationen	Windows
 AXIS Camera Management Siehe page 44	Mehrere Kameras Große Installationen Installation in einem anderen Sub-netz	Windows 2000 Windows XP Pro Windows 2003 Server

### Hinweise:

- Falls Sie die IP-Adresse nicht zuweisen können, müssen ggf. die Einstellungen der Firewall überprüft werden.
- Weitere Informationen zu alternativen Methoden zum Festlegen der IP-Adresse der AXIS 215 PTZ (z. B. in anderen Betriebssystemen) finden Sie auf page 47.

## AXIS IP Utility - Einzelne Kamera/kleine Installation

AXIS IP Utility erkennt automatisch im Netzwerk vorhandene Axis-Geräte und zeigt diese an. Die Anwendung kann außerdem zur manuellen Zuweisung einer statischen IP-Adresse verwendet werden.




Beachten Sie, dass sich die AXIS 215 PTZ und der Computer, auf dem AXIS IP Utility ausgeführt wird, im gleichen Netzwerksegment (d. h. physischen Subnetz) befinden müssen.

### Automatische Erkennung

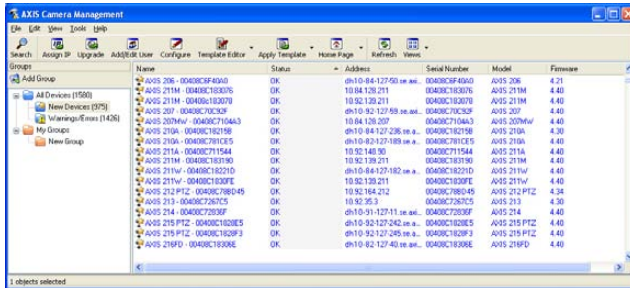
1. Stellen Sie sicher, dass die AXIS 215 PTZ an das Netzwerk und die Stromversorgung angeschlossen ist.
2. Starten Sie AXIS IP Utility.
3. Doppelklicken Sie auf das Symbol der Kamera, um die entsprechende Startseite zu öffnen.
4. Anweisungen zum Festlegen des Kennworts finden Sie auf page 45.

### Manuelle Zuweisung der IP-Adresse (optional)

1. Wählen Sie eine nicht zugewiesene IP-Adresse im selben Netzwerksegment, in dem sich Ihr Computer befindet.
2. Wählen Sie die AXIS 215 PTZ aus der Liste.
3. Klicken Sie auf die Schaltfläche  **Zuweisung einer neuen IP-Adresse an das ausgewählte Gerät** und geben Sie die IP Adresse an.
4. Klicken Sie auf die Schaltfläche **Zuweisen**, und folgen Sie den Anweisungen.
5. Klicken Sie auf die Schaltfläche **Home Page** (Startseite), um auf die Webseiten der Kamera zuzugreifen.
6. Anweisungen zum Festlegen des Kennworts finden Sie auf page 45.

## AXIS Camera Management - Mehrere Kameras/große Installation


Mit AXIS Camera Management können automatisch mehrere Axis-Geräte erkannt, der Verbindungsstatus angezeigt, die Firmware-Aktualisierungen verwaltet und IP-Adressen festgelegt werden.

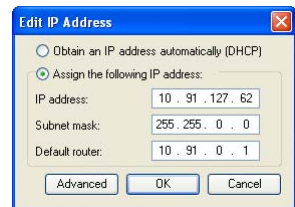


### Automatische Erkennung

1. Stellen Sie sicher, dass die Kamera an das Netzwerk und die Stromversorgung angeschlossen ist.
2. Starten Sie AXIS Camera Management. Doppelklicken Sie auf das Symbol der AXIS 215 PTZ, um die Startseite der Kamera zu öffnen.
3. Anweisungen zum Festlegen des Kennworts finden Sie auf page 45.


### Eine IP-Adresse einem einzelnen Gerät zuweisen

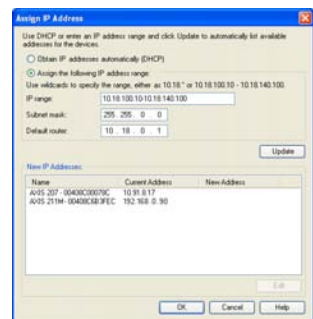
1. Wählen Sie die AXIS 215 PTZ im AXIS Camera Management, und klicken Sie auf die Schaltfläche  Assign IP (IP-Adresse zuweisen)
2. Wählen Sie die Option Assign the following IP address (Folgende IP-Adresse zuweisen) und geben Sie die IP-Adresse, die Subnetzmaske und den Standardrouter für das Gerät ein.
3. Klicken Sie auf OK.



### IP-Adressen mehreren Geräten zuweisen

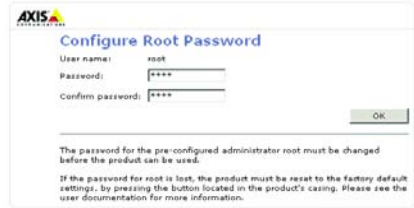
AXIS Camera Management beschleunigt die Zuweisung von IP-Adressen an mehrere Geräte, indem IP-Adressen aus einem angegebenen Bereich vorgeschlagen werden.

1. Wählen Sie die zu konfigurierenden Geräte aus (es können auch unterschiedliche Modelle gewählt werden), und klicken Sie auf die Schaltfläche Assign IP (IP-Adresse zuweisen). 
2. Wählen Sie die Option Assign the following IP address range (Folgenden IP-Adressbereich zuweisen) und geben Sie den IP-Adressbereich, die Subnetzmaske und den Standardrouter für das Geräte ein.
3. Klicken Sie auf OK.



## 5 Kennwort festlegen

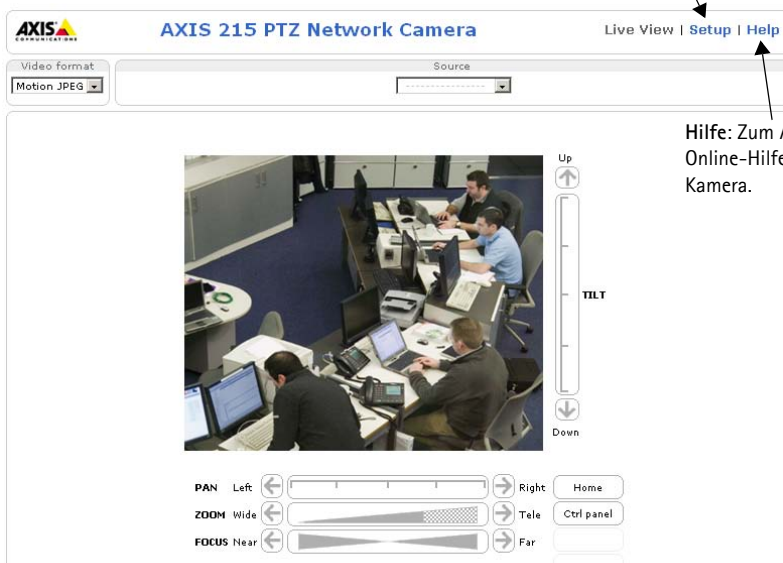
Beim erstmaligen Zugriff auf die AXIS 215 PTZ wird das Dialogfeld „Configure Root Password (Root-Kennwort konfigurieren)“ angezeigt.



1. Geben Sie ein Kennwort ein, und wiederholen Sie die Eingabe, um die korrekte Schreibweise zu bestätigen. Klicken Sie auf OK.
2. Geben Sie den Benutzernamen „root“ wie erforderlich ein.  
Hinweis: Der standardmäßige Administrator-Benutzername „root“ kann nicht gelöscht werden.
3. Geben Sie das in Schritt 1 festgelegte Kennwort ein, und klicken Sie auf OK. Wenn Sie das Kennwort vergessen haben, muss die AXIS 215 PTZ auf die Werkseinstellungen zurückgesetzt werden. (Siehe page 50)
4. Klicken Sie auf Ja, um AMC (AXIS Media Control) zu installieren. Nach Abschluss der Installation können Sie Video-Streams in Microsoft Internet Explorer anzeigen. Hierzu müssen Sie über Administratorrechte für den Computer verfügen.

Die Seite „Live-View (Live-Ansicht)“ der AXIS 215 PTZ wird angezeigt. Sie enthält Links zu Setup-Tools, mit denen Sie die Kamera Ihren Bedürfnissen entsprechend anpassen können.

**Setup:** Alle zur benutzerspezifischen Konfiguration der Kamera notwendigen Werkzeuge.



**Hilfe:** Zum Aufrufen der Online-Hilfe für die Kamera.

## Über das Internet auf die AXIS 215 PTZ zugreifen

Sobald die AXIS 215 PTZ installiert ist, können Sie über Ihr lokales Netzwerk (LAN) auf die Kamera zugreifen. Um auch über das Internet auf die Kamera zugreifen zu können, müssen Sie die Netzwerk-Router so konfigurieren, dass diese den entsprechenden eingehenden Datenverkehr zulassen, was üblicherweise durch Zuweisung eines bestimmten Ports geschieht. Ausführliche Informationen zu diesem Thema finden Sie in der Dokumentation des Routers.

Weitere Informationen zu diesem und zu anderen Themen erhalten Sie auf der Axis Support-Website unter [www.axis.com/techsup](http://www.axis.com/techsup).

## Andere Methoden zum Festlegen der IP-Adresse

Diese Tabelle bietet einen Überblick über weitere Methoden, die IP-Adresse festzulegen bzw. zu ermitteln. Alle Methoden sind standardmäßig aktiviert und können deaktiviert werden.

	Verwendung im Betriebssystem	Hinweise
UPnP™	Windows (ME oder XP)	Wenn die Funktion auf dem Computer aktiviert ist, wird die Kamera automatisch erkannt und zur „Netzwerkumgebung“ hinzugefügt.
Bonjour	MAC OSX (ab Vers. 10.4)	Kann nur bei Browsern verwendet werden, die Bonjour unterstützen. Navigieren Sie zum Bonjour-Lesezeichen Ihres Browsers (z. B. Safari), und klicken Sie auf den Link, um auf die Webseiten der Kamera zu gelangen.
AXIS Dynamic DNS Service	Alle	Ein kostenloser Service von Axis, mit dem Sie Ihre Kamera schnell und einfach installieren können. Eine Internetverbindung ohne HTTP-Proxyserver ist Voraussetzung. Weitere Informationen hierzu finden Sie auf <a href="http://www.axiscam.net">www.axiscam.net</a>
ARP/Ping	Alle	Siehe unten. Der Befehl muss innerhalb von 2 Minuten erfolgen, nachdem die Kamera an das Stromnetz angeschlossen wurde.
Admin-Seiten des DHCP-Servers anzeigen	Alle	Hinweise zum Anzeigen der Administrationsseiten des DHCP-Servers im Netzwerk finden Sie in der Serverdokumentation.

### IP-Adresse per ARP/Ping zuweisen

1. Wählen Sie eine IP-Adresse aus dem Netzwerksegment, in dem sich auch Ihr Computer befindet.
2. Sehen Sie nach der Seriennummer (S/N) auf dem Produktaufkleber der AXIS 215 PTZ.
3. Öffnen Sie auf Ihrem Computer die Eingabeaufforderung, und geben Sie die folgenden Befehle ein:

Syntax unter Windows:	Beispiel für Windows
<pre>arp -s &lt;IP-Adresse&gt; &lt;Seriennummer&gt; ping -l 408 -t &lt;IP-Adresse&gt;</pre>	<pre>arp -s 192.168.0.125 00-40-8c-18-10-00 ping -l 408 -t 192.168.0.125</pre>
Syntax unter UNIX/Linux/Mac	Beispiel für UNIX/Linux/Mac
<pre>arp -s &lt;IP-Adresse&gt; &lt;Seriennummer&gt; temp ping -s 408 &lt;IP-Adresse&gt;</pre>	<pre>arp -s 192.168.0.125 00:40:8c:18:10:00 temp ping -s 408 192.168.0.125</pre>

4. Stellen Sie sicher, dass das Netzkabel mit der Kamera verbunden ist, und starten Sie die Kamera bzw. starten Sie diese neu, indem Sie die Stromversorgung unterbrechen und wiederherstellen.
5. Schließen Sie die Befehlszeile, sobald „Reply from 192.168.0.125: ...“ oder eine ähnliche Meldung erscheint.
6. Öffnen Sie einen Browser, geben Sie im Adressfeld „http://<IP-Adresse>“ ein, und drücken Sie die Eingabetaste auf der Tastatur.

### Hinweise:

- So öffnen Sie unter Windows die Eingabeaufforderung: Wählen Sie im Startmenü die Option „Ausführen ...“, und geben Sie „cmd“ ein. Klicken Sie auf OK.
- Verwenden Sie zum Eingeben des Befehls „ARP“ unter Mac OS X das Dienstprogramm „Terminal“, das Sie unter „Anwendung > Dienstprogramme“ finden.

## Kameraanschlüsse

**Netzwerkanschluss** - RJ-45-Ethernetanschluss. Unterstützt PoE-Anschluss. Die Verwendung von geschirmten Kabeln wird empfohlen.

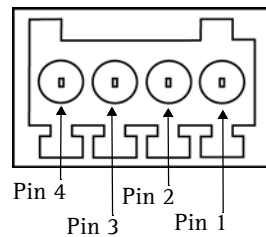
**Stromanschluss** - Mini-Gleichstromanschluss; 12 V Gleichstrom  $\pm 5\%$ , max. 14.5 W; Siehe Produktaufkleber bezüglich  $\pm$ -Anschluss.

**Audioeingang** - 3.5mm Anschluss für ein Monomikrofon oder ein Monosignal (linker Kanal wird von einem Stereosignal benutzt).

**Audioausgang** - Der Audioausgang unterstützt die line level Ausgabe und kann an einer PA-Anlage oder einen aktiven Lautsprecher mit einem eingebauten Verstärker angeschlossen werden. Ein Kopfhörer kann auch angeschlossen werden. Ein Stereostecker muß für den Audioausgang benutzt werden.

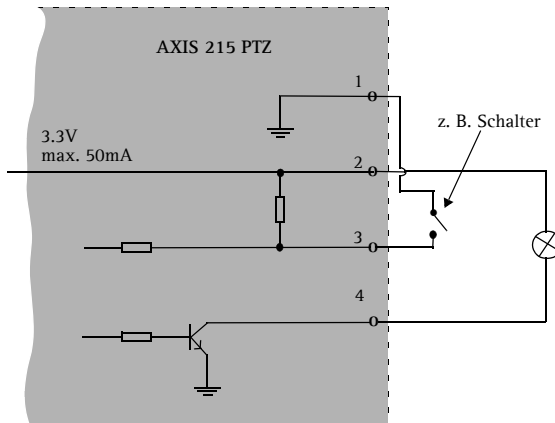
**E/A-Anschluss** - Wird verwendet z. B. für Bewegungserkennung, Ereignistriggerung, Zeitrafferaufnahmen, Alarm-Benachrichtigungen usw. und bildet die Schnittstelle für:

- 1 Transistorausgang: Für den Anschluss externer Relais und LEDs. Angeschlossene Geräte können über die AXIS VAPIX API, über die Schaltflächen für den Ausgang auf der Startseite der Kamera oder durch einen Ereignistyp aktiviert werden. Der Ausgang wird als aktiviert (**Event Configuration > Port-Status**) angezeigt, wenn das Alarm meldende Gerät eingeschaltet ist.
- 1 digitaler Eingang: Alarmeingang für den Anschluss von Geräten, die zwischen geöffnetem und geschlossenem Schaltkreis wechseln können, z. B.: PIR-Kameras, Tür/Fensterkontakte, Glasbruchmelder usw. Bei Empfang eines Signals ändert sich der Status, und der Eingang wird aktiviert (angezeigt unter **Event Configuration > Port-Status**).
- Zusatzstromversorgung und Masse



Funktion	Pinnummer	Hinweise	Technische Daten
Masse	1		
3,3 V Gleichstrom	2	Dieser Kontakt kann für die Stromversorgung von Zusatzgeräten verwendet werden. Beachten Sie, dass die AXIS 215 PTZ selbst nicht über die E/A Kontakte mit Strom versorgt werden kann.	Stromstärke von 100 mA verwendet werden.
Digitaler Eingang	3	Zum Aktivieren mit dem Massekontakt verbinden; zum Deaktivieren nicht trennen.	Die angelegte Spannung darf maximal 10 V DC betragen!
Transistorausgang	4	Verwendet einen NPN-Transistor mit offenem Kollektor, wobei der Emittor mit dem Massepin verbunden ist. Zum Schutz vor Spannungsspitzen muss bei der Kombination mit einem externen Relais eine Diode parallel zur Last geschaltet werden.	Max. Stromstärke = 50 mA Max. Spannung = 24 V DC (am Transistor)

### Anschlusschaltbild



## LED-Anzeigen

LED	Farbe	Bedeutung
Netzwerk	Grün	Leuchtet konstant bei einer Netzwerkverbindung mit 100 Mbit/s. Blinkt bei Netzwerkaktivität.
	Gelb	Leuchtet konstant bei einer Netzwerkverbindung mit 10 Mbit/s. Blinkt bei Netzwerkaktivität.
	Leuchtet nicht	Keine Netzwerkverbindung vorhanden.
Status	Grün	Leuchtet bei Normalbetrieb konstant grün.
	Gelb	Leuchtet dauerhaft beim Start und beim Wiederherstellen der Werkseinstellungen bzw. von vorherigen Einstellungen.
	Rot	Blinkt langsam bei Aktualisierungsfehler.
Betrieb	Grün	Normalbetrieb
	Gelb	Blinkt grün/gelb während Firmware-Aktualisierung.

## Werkseitige Standardeinstellungen wiederherstellen

Gehen Sie wie folgt vor, um sämtliche Parameter einschließlich der IP-Adresse auf die werkseitigen Standardeinstellungen zurückzusetzen:

1. Trennen Sie die Kamera von der Stromversorgung.
2. Halten Sie die Steuertaste gedrückt, und schließen Sie den Netzstecker wieder an.
3. Halten Sie die Steuertaste gedrückt, bis die Statusanzeige gelb leuchtet (dies kann bis zu 15 Sekunden dauern), und lassen Sie danach die Taste los.
4. Sobald die Statusanzeige grün leuchtet (dies kann bis zu einer Minute dauern), ist die Kamera auf die werkseitigen Standardeinstellungen zurückgesetzt.
5. Installieren Sie die AXIS 215 PTZ erneut. Wenden Sie dabei eines der in diesem Handbuch beschriebenen Verfahren an.

Die Parameter können auch über die Weboberfläche auf die werkseitigen Einstellungen zurückgesetzt werden. Weitere Informationen dazu finden Sie in der Online-Hilfe und im Benutzerhandbuch.

## Weitere Informationen

Das Benutzerhandbuch ist auf der Axis Website unter <http://www.axis.com> erhältlich und befindet sich auch auf der mitgelieferten CD für Axis-Netzwerkvideoprodukte.

### Tipp!

Unter [www.axis.com/techsup](http://www.axis.com/techsup) finden Sie Firmware-Aktualisierungen für Ihre AXIS 215 PTZ. Gehen Sie unter „Setup“ auf die Seite „Grundkonfiguration,“ um die aktuelle Firmware-Version anzuzeigen.

# AXIS 215 PTZ

## Guida all'installazione

Nel presente documento vengono fornite le istruzioni per installare la Videocamera di rete AXIS 215 PTZ nella propria rete. Per tutti gli altri aspetti sull'utilizzo del prodotto, vedere il manuale dell'utente disponibile sul CD incluso nella confezione oppure all'indirizzo [www.axis.com/techsup](http://www.axis.com/techsup)

### Procedura di installazione

1. Controllare il contenuto della confezione utilizzando l'elenco fornito di seguito.
2. Panoramica dell'hardware. Vedere page 52.
3. Installare l'hardware. Vedere page 53.
4. Assegnare un indirizzo IP. Vedere page 58.
5. Impostare la password. Vedere page 61.

#### Importante

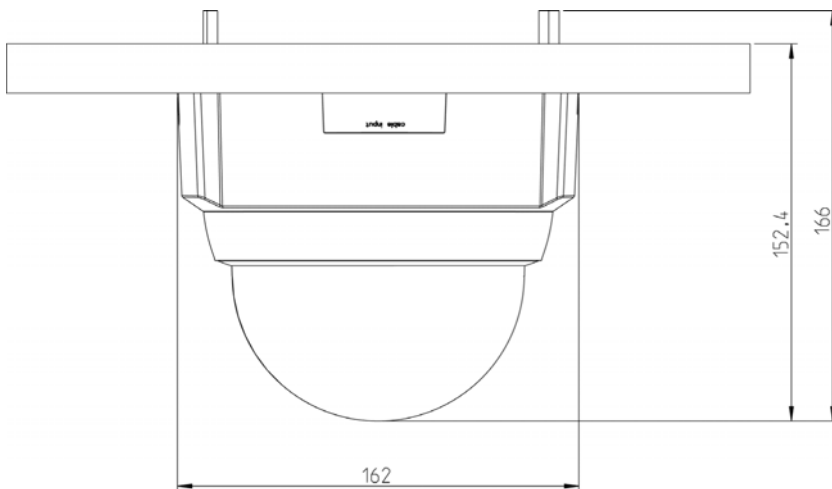
Il prodotto deve essere utilizzato in conformità alle leggi e alle disposizioni locali.

### 1 Contenuto della confezione

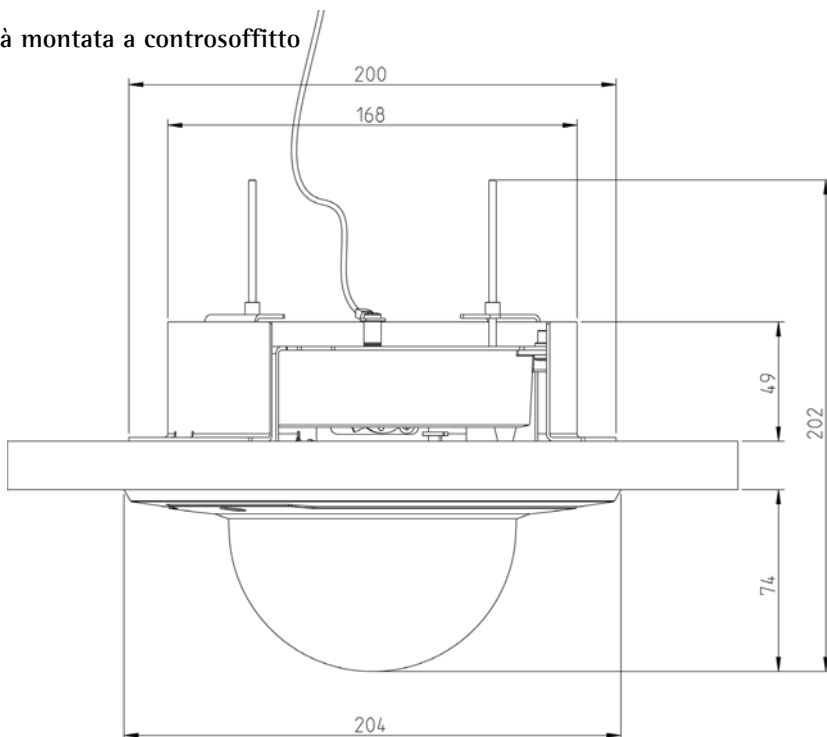
Articolo	Modello/varianti/note
Videocamera di rete	<ul style="list-style-type: none"> <li>• AXIS 215 PTZ da 50 Hz (PAL)</li> <li>• AXIS 215 PTZ da 60 Hz (NTSC)</li> </ul>
Adattatore	12 V CC
Cavi principali dell'adattatore di alimentazione (specifico per il paese)	<ul style="list-style-type: none"> <li>• Europa</li> <li>• Regno Unito</li> <li>• Australia</li> <li>• USA / Giappone</li> <li>• Argentina</li> <li>• Corea</li> </ul>
Morsettiera a 4 pin	Per il collegamento di periferiche esterne alla morsettiera di alimentazione I/O
Kit di montaggio a controsoffitto	1 staffa interna, 1 staffa esterna
2 cupole in plastica	1 per il montaggio su una superficie 1 per il montaggio a controsoffitto
Cacciavite	Resitorx T20
Kit di viti	<ul style="list-style-type: none"> <li>• 1 cavo di sicurezza da 1 m</li> <li>• 2 tasselli da 30 x 3,4 - 4 mm</li> <li>• 2 viti ST4 2x38</li> <li>• 4 viti M4x10</li> <li>• 1 vite M4x4</li> <li>• 2 viti M4x10 resitorx</li> </ul>
Modello	Utilizzato per contrassegnare la posizione per il montaggio su una superficie o a controsoffitto
CD	CD del prodotto, inclusi gli strumenti di installazione e altro software nonché la documentazione del prodotto
Documentazione cartacea	Guida all'installazione di AXIS 215 PTZ (questo documento) Certificato di garanzia Axis

## 2 Panoramica dell'hardware

Unità montata su una superficie



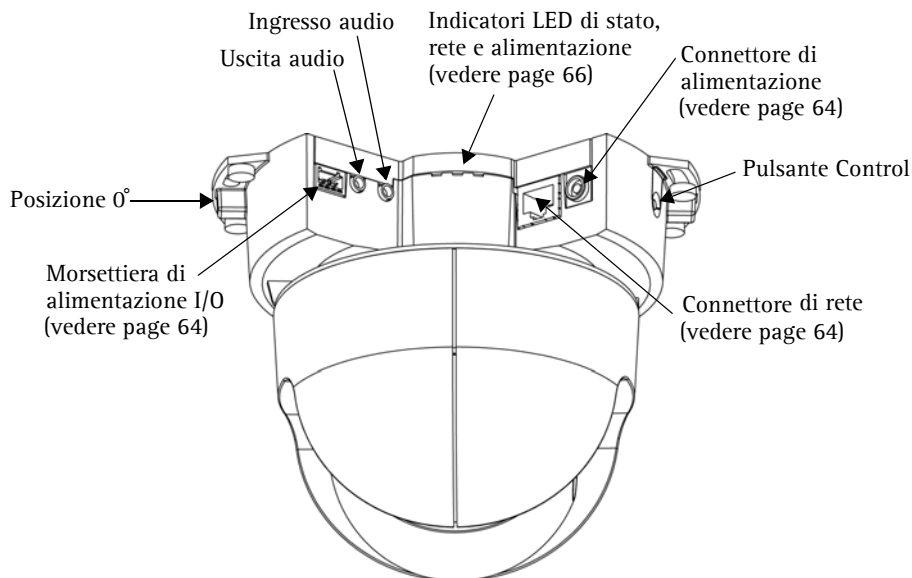
Unità montata a controsoffitto



## Peso

- Videocamera: 0,60 kg (1,32 lb)
- Montaggio a controsoffitto: 0,54 kg (1,19 lb)
- Coperchio per montaggio a controsoffitto: 0,12 kg (0,26 lb)
- Coperchio per montaggio su una superficie: 0,13 kg (0,29 lb)
- Adattatore, inclusi i cavi principali: 0,43 kg (0,43 lb)

## Connettori e pulsanti



## 3 Montaggio

**IMPORTANTE:** il dispositivo AXIS 215 PTZ è progettato per un uso interno ed esterno. Per utilizzare la videocamera all'esterno, è necessario installarla in un alloggiamento per esterni approvato. Per ulteriori informazioni sull'alloggiamento per esterni, vedere il sito Web all'indirizzo [www.axis.com](http://www.axis.com).

Non usare la cupola della telecamera se la stessa deve essere inserita in una custodia da esterno. La doppia cupola riduce la qualità dell'immagine arrivando a creare un effetto velato.

## Posizione frontale

Il dispositivo AXIS 215 PTZ è dotato della funzionalità di rotazione panoramica a  $\pm 180^\circ$  dalla posizione di partenza a  $0^\circ$ , ad esempio la linguetta di metallo a sinistra del connettore, come mostrato dalla figura sopra riportata. Tale posizione è considerata "frontale" ed è il punto in cui la videocamera tornerà a posizionarsi automaticamente ad ogni avvio.

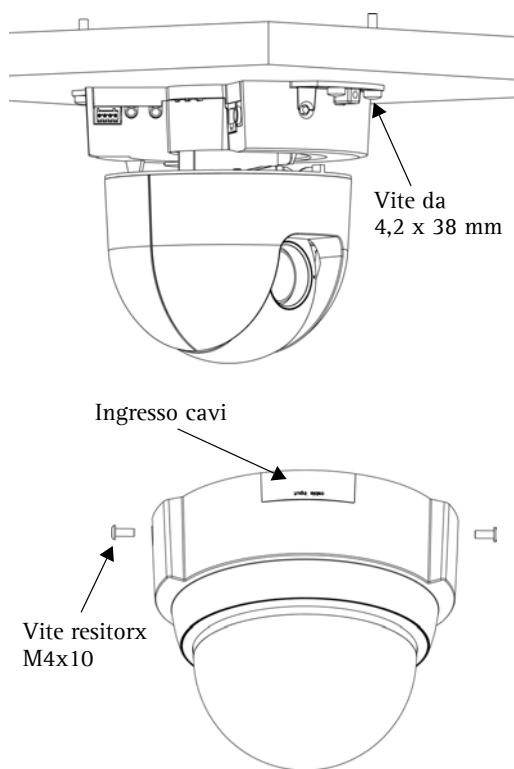
Sono disponibili due diversi tipi di montaggio per il dispositivo AXIS 215 PTZ:

- Montaggio dell'unità a soffitto, dove l'unità viene assicurata direttamente al materiale del soffitto.
- Montaggio a incasso nel controsoffitto, dove viene praticato un foro nel soffitto e utilizzato il kit di montaggio a controsoffitto fornito.

## Montaggio su una superficie

Se è necessario montare in superficie anche i cavi, inserirli tramite l'ingresso rimovibile posto sul coperchio più grande della cupola in plastica.

1. Utilizzare la sagoma fornita per contrassegnare le posizioni delle viti necessarie a fissare la videocamera al soffitto. Se necessario, eseguire dei fori per i tasselli di montaggio forniti.
2. Per fissare la videocamera al soffitto, utilizzare le due viti da 4,2 x 38 fornite.
3. Collegare la videocamera alla rete mediante un cavo di rete schermato.
4. Connettere altre periferiche esterne in ingresso/uscita (facoltativo) come, ad esempio, sistemi di allarme. Per informazioni sui pin della morsettiera di alimentazione, vedere page 64.
5. Collegare un altoparlante attivo o un microfono esterno (facoltativo).
6. Collegare l'adattatore per uso interno fornito al connettore di alimentazione.
7. Utilizzare il cacciavite fornito per montare il coperchio più grande della cupola con le 2 viti M4x10 resitorx.



### Note:

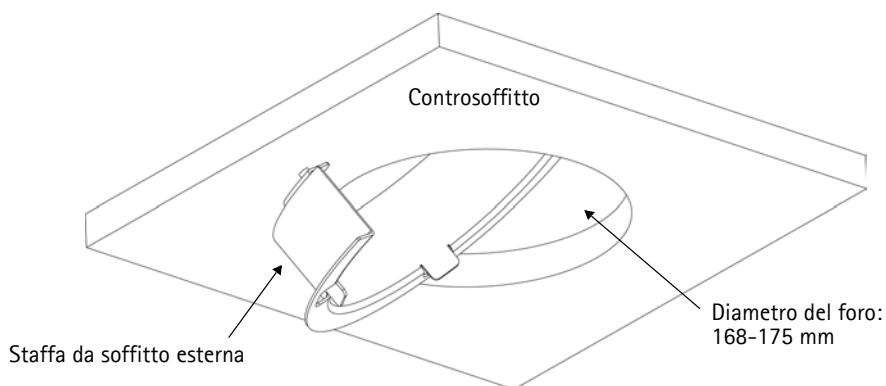
- quando viene fornita l'alimentazione, verificare che i LED indichino le condizioni di funzionamento corrette. Per ulteriori dettagli, vedere la tabella a page 66.
- Per la cupola è possibile scegliere una copertura di plastica trasparente o fumé. Vedere *Sostituzione della cupola*, on page 57.
- Non usare la cupola della telecamera se la stessa deve essere inserita in una custodia da esterno. La doppia cupola riduce la qualità dell'immagine arrivando a creare un effetto velato.

## Montaggio a controsoffitto

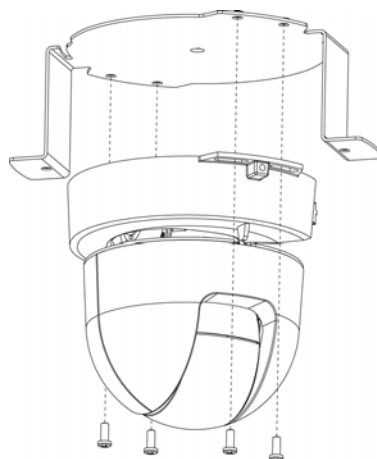
1. Se possibile, rimuovere la parte di controsoffitto in cui deve essere installato il supporto per il montaggio a controsoffitto.
2. Utilizzare la sagoma fornita per contrassegnare la posizione del foro nel controsoffitto. Rimuovere la pellicola di protezione, posizionare sul controsoffitto e tagliare intorno alla sagoma.

**Nota:** il peso della videocamera, del supporto di montaggio e del coperchio è di 1,26 kg. Verificare che il materiale del controsoffitto sia abbastanza resistente per sostenere tale peso. È necessario che lo spessore del controsoffitto sia compreso tra 20 e 60 mm.

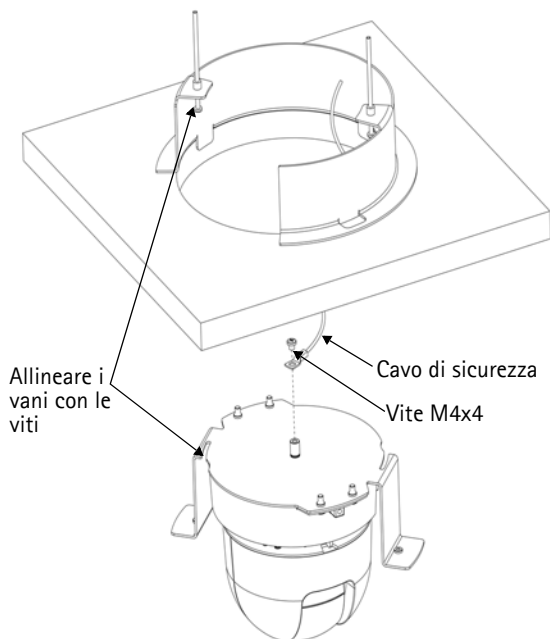
3. Inclinare e inserire la staffa esterna dentro il foro e spingerla in posizione. La staffa deve essere posizionata in modo che le 3 linguette puntino verso il basso nel foro.



4. Passare tutti i cavi (rete, alimentazione e così via) attraverso il foro, pronti per la connessione.
5. Mediante le 4 viti M4x10 fornite, montare la videocamera sulla staffa interna, come illustrato.

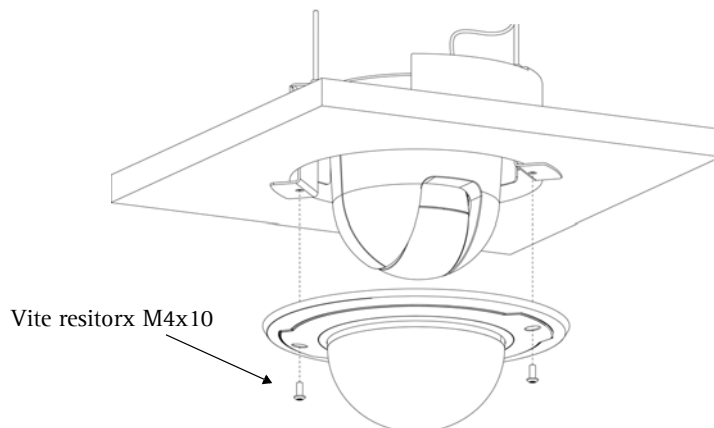


6. Regolare la lunghezza del cavo di sicurezza fornito e fissarlo sia alla staffa interna sia al soffitto sopra il controsoffitto.
7. Collegare la videocamera alla rete mediante un cavo di rete schermato.
8. Connettere altre periferiche esterne in ingresso/uscita (facoltativo) come, ad esempio, sistemi di allarme. Per informazioni sui pin della morsettiera di alimentazione, vedere page 64.
9. Collegare un altoparlante attivo o un microfono esterno (facoltativo).
10. Collegare l'alimentatore per uso interno al connettore di alimentazione sulla videocamera.
11. Alzare e girare la staffa interna (con la videocamera) in modo tale che le viti della staffa esterna entrino nel vano delle viti della staffa interna. Accertarsi che le viti entrino perfettamente fino alla fine del vano.
12. Stringere le viti in modo che il controsoffitto rimanga bloccato tra la staffa interna ed esterna. Verificare che nessuno dei cavi rimanga bloccato nelle staffe.



**Nota:** quando viene fornita l'alimentazione, verificare che i LED indichino le condizioni di funzionamento corrette. Per ulteriori dettagli, vedere la tabella a page 66.

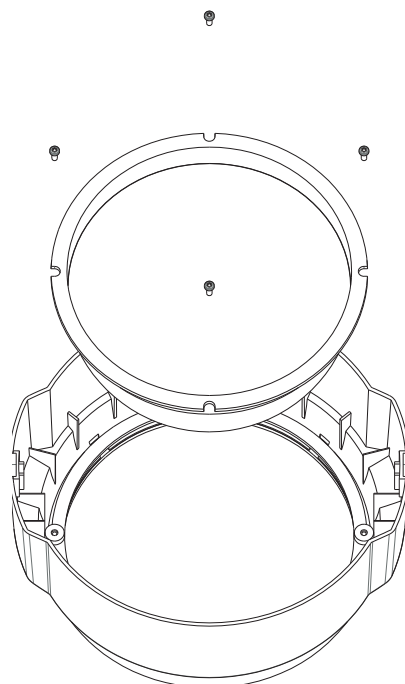
13. Utilizzare il cacciavite fornito per montare il coperchio più piccolo della cupola con le 2 viti M4x10 resitorx.



## Sostituzione della cupola

Per la cupola è possibile scegliere una copertura di plastica trasparente o fumé. Per sostituirla, utilizzare un cacciavite torx T6 per rimuovere le 4 viti di fissaggio all'interno della cupola, come mostrato di seguito.

È necessario maneggiare con cura la copertura per non graffiarla. È consigliabile utilizzare guanti di cotone.





## 4 Impostazione di un indirizzo IP

La maggior parte delle reti dispone di un server DHCP che automaticamente assegna gli indirizzi IP ai dispositivi connessi. Se la rete non dispone di un server DHCP, per il dispositivo AXIS 215 PTZ viene utilizzato l'indirizzo IP predefinito 192.168.0.90.

Per assegnare un indirizzo IP statico, si consiglia di utilizzare **AXIS IP Utility** o **AXIS Camera Management** in ambiente Windows. In base al numero di videocamere da installare, utilizzare il metodo che meglio si adatta alle proprie esigenze.

Entrambe le applicazioni sono disponibili gratuitamente sul CD del prodotto oppure possono essere scaricate dal sito Web all'indirizzo [www.axis.com/techsup](http://www.axis.com/techsup).

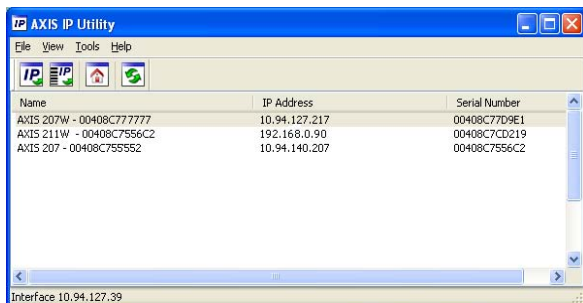
Metodo	Consigliato per...	Sistema operativo
 AXIS IP Utility Vedere page 59	Videocamera singola Piccole installazioni	Windows
 AXIS Camera Management Vedere page 60	Più videocamere Grandi installazioni Installazione in una diversa subnet	Windows 2000 Windows XP Pro Windows 2003 Server

### Note:

- Se l'assegnazione dell'indirizzo IP non è riuscita correttamente, verificare che non siano presenti firewall a bloccare l'operazione.
- Per altri metodi di assegnazione o di rilevazione dell'indirizzo IP per il dispositivo AXIS 215 PTZ, ad esempio in altri sistemi operativi, vedere page 63.

## AXIS IP Utility: videocamera singola/piccole installazioni

AXIS IP Utility consente di individuare e visualizzare automaticamente la presenza di periferiche Axis sulla rete. L'applicazione inoltre può essere utilizzata per assegnare manualmente un indirizzo IP statico.




Si tenga presente che il dispositivo AXIS 215 PTZ deve essere installato sullo stesso segmento di rete (subnet fisica) del computer sul quale è in esecuzione AXIS IP Utility.

### Rilevamento automatico

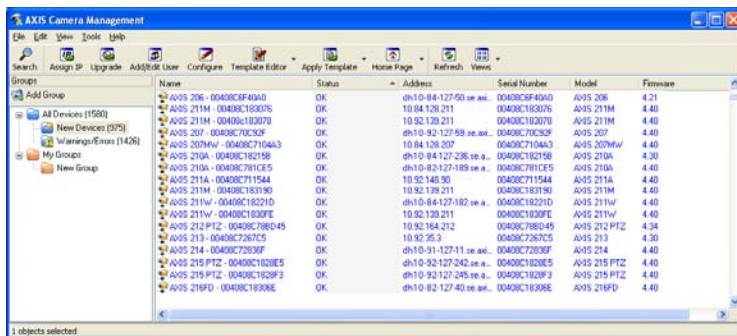
1. Verificare che il dispositivo AXIS 215 PTZ sia collegato alla rete e alimentato correttamente.
2. Avviare AXIS IP Utility.
3. Quando la videocamera verrà visualizzata, fare doppio clic su di essa per aprirne la home page.
4. Vedere page 61 per istruzioni su come assegnare la password.

### Assegnazione manuale dell'indirizzo IP (facoltativo)

1. Acquisire un indirizzo IP non utilizzato sullo stesso segmento di rete del computer.
2. Seleziona AXIS 215 PTZ dalla lista
3. Clicca sul pulsante **Assegna un nuovo indirizzo IP all'unità selezionata**  e scrivi l'indirizzo IP.
4. Fare clic sul pulsante **Assegna** e seguire le istruzioni visualizzate.
5. Fare clic sul pulsante **Home Page** per accedere alle pagine Web della videocamera.
6. Vedere page 61 per istruzioni su come impostare la password.

## AXIS Camera Management: più videocamere/grandi installazioni


È possibile utilizzare AXIS Camera Management per individuare automaticamente la presenza di più dispositivi Axis, mostrare lo stato di connessione, gestire gli aggiornamenti del firmware e impostare gli indirizzi IP.



### Rilevamento automatico

1. Verificare che la videocamera sia collegata alla rete e alimentata correttamente.
2. Avviare AXIS Camera Management. Quando verrà visualizzato il dispositivo AXIS 215 PTZ, fare doppio clic su di esso per aprire la home page.
3. Vedere page 61 per istruzioni su come impostare la password.


### Assegnazione di un indirizzo IP in una singola videocamera

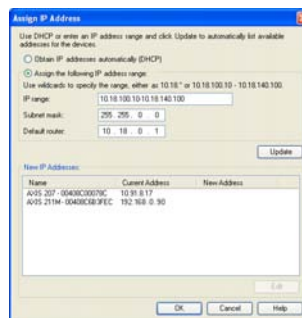
1. Selezionare AXIS 215 PTZ in AXIS Camera Management e fare clic sul pulsante Assign IP (Assegna IP). 
2. Selezionare Assign the following IP address (Assegnare il seguente indirizzo IP) e immettere l'indirizzo IP, la subnet mask e il router predefinito utilizzato dal dispositivo.
3. Fare clic sul pulsante OK.



### Assegnazione degli indirizzi IP in più videocamere

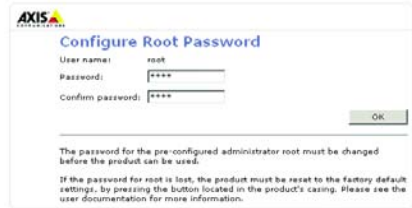
AXIS Camera Management facilita il processo di assegnazione degli indirizzi IP di più videocamere, suggerendo gli indirizzi IP in base a un intervallo specifico.

1. Selezionare le videocamere che si desidera configurare; possono essere selezionati differenti modelli e fare clic sul pulsante Assign IP (Assegna IP). 
2. Selezionare Assign the following IP address range (Assegnare il seguente indirizzo IP) e immettere l'intervallo di indirizzi IP, la subnet mask e il router predefinito utilizzato dal dispositivo.
3. Fare clic sul pulsante OK.



## 5 Impostazione della password

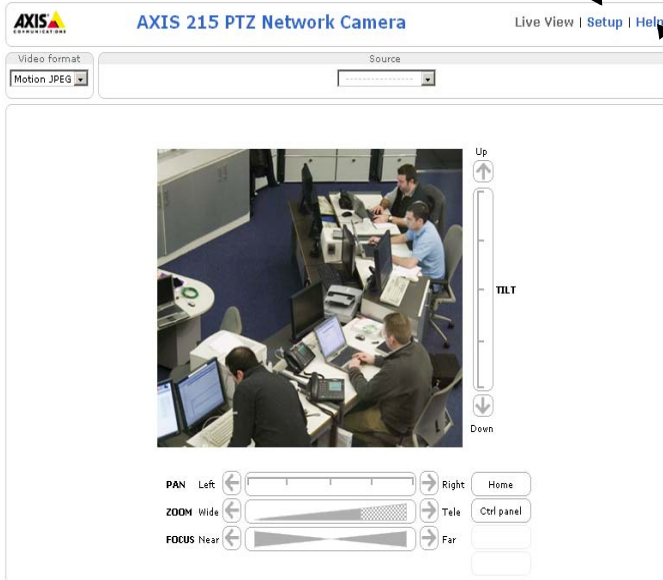
Quando si accede a AXIS 215 PTZ per la prima volta, viene visualizzata la finestra di dialogo "Configura password di primo livello."



1. Immettere la password, quindi inserirla di nuovo per confermarne l'esattezza. Fare clic su OK.
2. Inserisci il nome utente "root" nella finestra come da richiesto.  
Nota: non è possibile eliminare il nome utente predefinito dell'amministratore.
3. Inserire la password impostata in precedenza e fare clic su OK. Se si dimentica la password, sarà necessario ripristinare le impostazioni di fabbrica di AXIS 215 PTZ. Vedere page 66.
4. Se necessario, fare clic su Sì per installare AMC (Axis Media Control) che consente di visualizzare il flusso video in Microsoft Internet Explorer. A questo scopo è necessario disporre dei privilegi di amministratore.

Viene visualizzata la pagina Live View di AXIS 215 PTZ con i collegamenti agli strumenti di configurazione che consentono di personalizzare la videocamera.

Impostazioni: fornisce tutti gli strumenti necessari per configurare la videocamera.



Guida: visualizza la Guida in linea relativa alla modalità di utilizzo della videocamera.

## Accesso a AXIS 215 PTZ da Internet

Una volta installata, la videocamera AXIS 215 PTZ è accessibile dalla rete LAN. Per accedere alla videocamera da Internet, è necessario configurare i router di rete per consentire il traffico dei dati in entrata, operazione che solitamente viene effettuata su una porta specifica. Per ulteriori istruzioni sul router, fare riferimento alla documentazione.

Per ulteriori informazioni relative a questo e altri argomenti, visitare il sito Web del supporto tecnico di Axis all'indirizzo [www.axis.com/techsup](http://www.axis.com/techsup)

## Altri metodi di impostazione dell'indirizzo IP

Nella tabella sotto riportata sono illustrati altri metodi disponibili per impostare o individuare l'indirizzo IP. Tutti i metodi sono disponibili per impostazione predefinita e possono essere tutti disabilitati.

	Sistema operativo	Note
UPnP™	Windows (ME o XP)	Se abilitato sul computer, la videocamera viene rilevata automaticamente e aggiunta a "Risorse di rete".
Bonjour	MAC OSX (versione 10.4 o successive)	Si applica a browser con supporto Bonjour. Selezionare il segnalibro Bonjour nel browser (ad esempio Safari) e fare clic sul collegamento per accedere alle pagine Web della videocamera.
AXIS Dynamic DNS Service	Tutti	Un servizio gratuito fornito da Axis che consente di installare la videocamera in modo facile e veloce. È necessaria una connessione a Internet senza proxy http. Per ulteriori informazioni, visitare il sito Web all'indirizzo <a href="http://www.axiscam.net">www.axiscam.net</a> .
ARP/Ping	Tutti	vedere più avanti. È necessario eseguire il comando entro 2 minuti dal collegamento dell'alimentazione alla videocamera.
Visualizzazione delle pagine di amministrazione del server DHCP	Tutti	Per visualizzare le pagine di amministrazione del server DHCP di rete, vedere la documentazione specifica del server.

### Impostazione dell'indirizzo IP con ARP/Ping

1. Acquisire un indirizzo IP sullo stesso segmento di rete cui è connesso il computer in uso.
2. Individuare il numero di serie indicato sull'etichetta di AXIS 215 PTZ.
3. Aprire una finestra MS-DOS sul computer e digitare i seguenti comandi:

Sintassi di Windows:	Esempio di Windows
arp -s <Indirizzo IP> <Numero di serie> ping -l 408 -t <Indirizzo IP>	arp -s 192.168.0.125 00-40-8c-18-10-00 ping -l 408 -t 192.168.0.125
Sintassi di UNIX/Linux/Mac:	Esempio di UNIX/Linux/Mac
arp -s <Indirizzo IP> <Numero di serie> temp ping -s 408 <Indirizzo IP>	arp -s 192.168.0.125 00:40:8c:18:10:00 temp ping -s 408 192.168.0.125

4. Verificare che il cavo di rete sia connesso alla videocamera e quindi avviare/riavviare la videocamera, scollegando e ricollegando l'alimentazione.
5. Chiudere la finestra MS-DOS una volta visualizzato il messaggio "Risposta da 192.168.0.125: ..." oppure un messaggio simile.
6. Nel browser immettere `http://<indirizzo IP>` nel campo dell'indirizzo e premere Invio sulla tastiera.

#### Note:

- Per aprire una finestra MS-DOS in Windows: dal menu Start, scegliere Esegui... e digitare cmd. Fare clic su OK.
- Per utilizzare il comando ARP su un sistema operativo Mac OS X, servirsi dell'utilità Terminal, in Applicazioni > Utilità.

## Connettori

**Connettore di rete** - Ethernet RJ-45. Supporti Power over Ethernet (PoE). Si consiglia l'uso di cavi schermati.

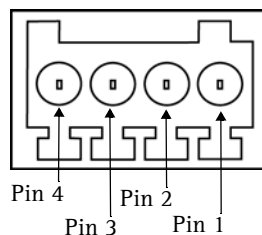
**Connettore di alimentazione** - A basso voltaggio da 12 V CC  $\pm 5\%$ , massimo 14,5W. Vedere l'etichetta sul prodotto per la connessione dei poli  $\pm$ .

**Audio in** - 3.5 mm per microfono in mono o segnale mono line-in (il canale sinistro è usato da un segnale in stereo).

**Audio out** - Audio in output che può essere connesso ad un sistema di indirizzo pubblico (PA), oppure ad un altoparlante con amplificatore integrato. Un paio di cuffie possono essere collegate. Un connettore stereo deve essere usato per l'audio out.

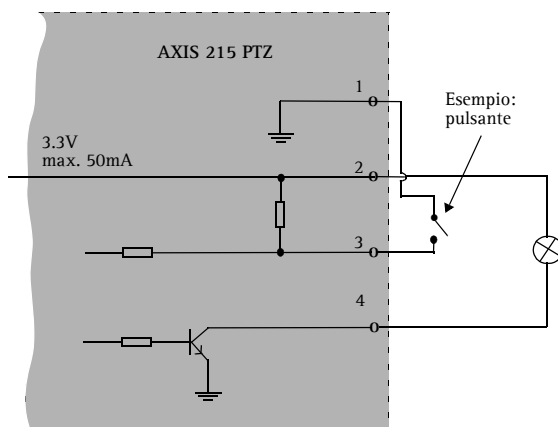
**Morsetti di alimentazione I/O** - Utilizzata per varie applicazioni come, ad esempio, la rilevazione del movimento, l'attivazione di eventi, la registrazione continua, la notifica di allarmi e così via. Fornisce l'interfaccia per:

- 1 uscita transistor - per connettere apparati esterni come relays o LED. Le periferiche connesse possono essere attivate mediante AXIS VAPIX API, o i pulsanti di controllo nella pagina **Immagini dal vivo**, oppure tramite il **Tipo Evento**. L'uscita verrà visualizzata come **attiva** (visualizzato in **Configurazione evento > Stato porta**) se il dispositivo di allarme è attivato.
- 1 ingresso digitale: specifico per allarmi, consente di connettere periferiche che possono aprire o chiudere un circuito, ad esempio: sensori di movimento (PIR), contatti porta/finestra, rilevatori di rottura vetri e così via. Quando viene ricevuto il segnale lo **stato** cambia e l'ingresso diventa attivo (visualizzato in **Configurazione evento > Stato porta**).
- Alimentazione ausiliaria e presa di terra



Funzione	Numero pin	Note	Specifiche
GND	1	Terra	
Alimentazione ausiliaria 3.3V CC	2	Il pin può essere utilizzato anche per alimentare una periferica ausiliaria.	Corrente massima: 50 mA.
Ingresso digitale	3	Collegare a terra (GND) per attivarlo oppure lasciare isolato (o scollegato) per disattivarlo.	Non collegare una tensione superiore a 10V CC.
Uscita transistor	4	Un transistor di tipo NPN open-collector con connessione dell'emettitore collegato al polo di terra. Se si utilizza un relé esterno, è necessario collegare un diodo in parallelo al carico per proteggere il dispositivo da sovratensioni transitorie.	Carico massimo = 50 mA Tensione massima = 24V CC (ingresso per il transistor)

## Schema delle connessioni



## Indicatori LED

LED	Colore	Indicazione
Rete	Verde	Luce fissa: connessione di rete a 100 Mbit/s. Luce lampeggiante: attività di rete.
	Giallo	Luce fissa: connessione di rete a 10 Mbit/s. Luce lampeggiante: attività di rete.
	Spento	Assenza di connessione.
Stato	Verde	Luce verde fissa: condizioni di normale utilizzo.
	Giallo	Luce fissa: durante l'avvio o il ripristino delle impostazioni predefinite di fabbrica o della configurazione.
	Rosso	Luce lampeggiante lenta: aggiornamento non riuscito.
Alimentazione	Verde	Normale utilizzo.
	Giallo	Luce lampeggiante verde/gialla: aggiornamento firmware.

## Ripristino delle impostazioni di fabbrica

Questa procedura consentirà di ripristinare le impostazioni di fabbrica per tutti i parametri, incluso l'indirizzo IP.

1. Scollegare l'alimentazione dalla videocamera.
2. Tenere premuto il pulsante Control e ricollegare il cavo di alimentazione.
3. Tenere premuto il pulsante finché l'indicatore di stato diventa giallo (possono essere necessari fino a 15 secondi), quindi rilasciare il pulsante.
4. Quando l'indicatore di stato diventa verde (l'operazione può richiedere fino a 1 minuto) la procedura è completata e sono state ripristinate le impostazioni di fabbrica per la videocamera.
5. Reinstallare AXIS 215 PTZ utilizzando uno dei metodi descritti nel presente documento.

È possibile inoltre ripristinare le impostazioni di fabbrica mediante l'interfaccia Web. Per ulteriori informazioni, consultare la Guida in linea o il Manuale per l'utente.

## Ulteriori informazioni

Il Manuale per l'utente è disponibile sul sito Web di Axis all'indirizzo [www.axis.com](http://www.axis.com) oppure sul CD fornito con il prodotto.

### Suggerimento

Visitare il sito di Axis all'indirizzo [www.axis.com/techsup](http://www.axis.com/techsup) per verificare se sono stati pubblicati aggiornamenti del firmware per la videocamera AXIS 215 PTZ. Per conoscere la versione installata del firmware, vedere la pagina Configurazione base negli strumenti di configurazione.

# AXIS 215 PTZ

## Guía de instalación

Esta guía de instalación incluye las instrucciones necesarias para instalar la Cámara de red PTZ AXIS 215 en su red. Para obtener información sobre cualquier cuestión relacionada con el uso del producto, consulte el Manual del usuario, disponible en el CD que se incluye en este paquete o en la página [www.axis.com/techsup](http://www.axis.com/techsup).

### Pasos de instalación

1. Verifique el contenido del paquete con la lista siguiente.
2. Presentación del hardware. Consulte la page 68.
3. Montaje del hardware. Consulte la page 69.
4. Asignación de una dirección IP. Consulte la page 74.
5. Configuración de la contraseña. Consulte la page 77.

#### Importante

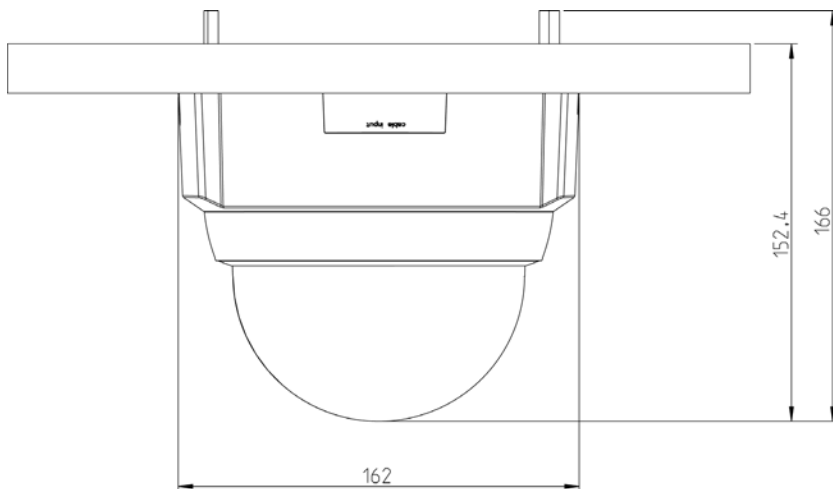
Este producto debe utilizarse de acuerdo con la legislación y la normativa locales.

### 1 Contenido del paquete

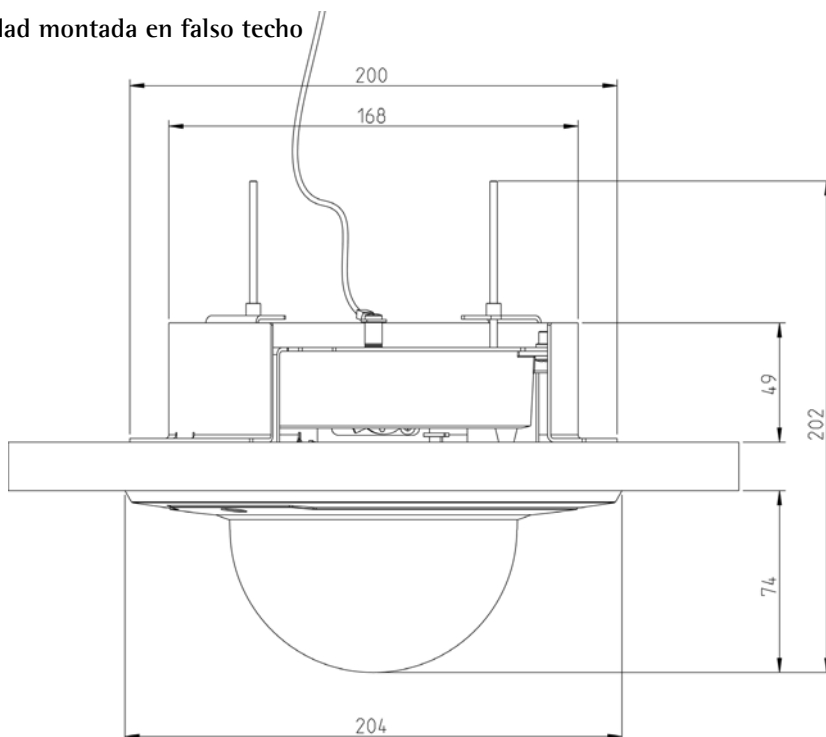
Artículo	Modelos/variantes/notas
Cámara de red	<ul style="list-style-type: none"> <li>• AXIS 215 PTZ 50 Hz (PAL)</li> <li>• AXIS 215 PTZ 60 Hz (NTSC)</li> </ul>
Adaptador de corriente	12 V CC
Cable de red de adaptador de corriente (específico del país)	<ul style="list-style-type: none"> <li>• Europa</li> <li>• Reino Unido</li> <li>• Australia</li> <li>• EE.UU./Japón</li> <li>• Argentina</li> <li>• Corea</li> </ul>
Bloque de conectores de 4 pines	Para conectar dispositivos externos al conector de terminal de E/S
Kit de montaje para falso techo	1 soporte interior, 1 soporte exterior
Burbujas de plástico x 2	1 para el montaje en superficie 1 para el montaje en falso techo
Destornillador	Resitorx T20
Juego de tornillos	<ul style="list-style-type: none"> <li>• 1 cable de seguridad de 1 m</li> <li>• 2 tapones de 30 x 3,4-4 mm</li> <li>• 2 tornillos estándar 4,2 x 38</li> <li>• 4 tornillos M4x10</li> <li>• 1 tornillo M4x4</li> <li>• 2 tornillos M4x10 Resitorx</li> </ul>
Plantilla	Para marcar posiciones para el montaje en superficie o falso techo
CD	CD sobre el producto de vídeo en red de Axis, que incluye herramientas de instalación, otro software y documentación acerca del producto
Material impreso	Guía de instalación de la AXIS 215 PTZ (este documento) Documento de garantía de Axis

## 2 Presentación del hardware

Unidad montada en superficie



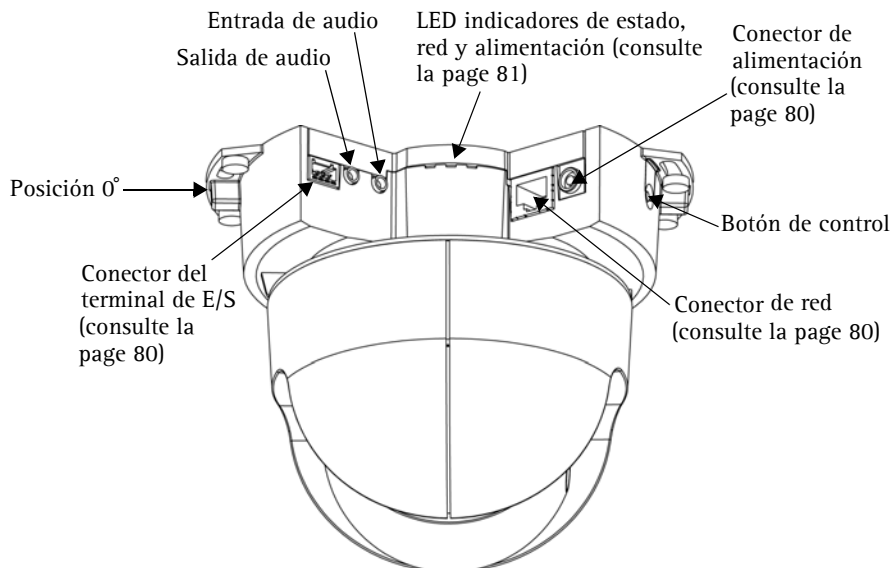
Unidad montada en falso techo



## Pesos

- Cámara: 0,60 kg (1,32 lb)
- Soporte para falso techo: 0,54 kg (1,19 lb)
- Cubierta para falso techo: 0,12 kg (0,26 lb)
- Cubierta de soporte para superficie: 0,13 kg (0,29 lb)
- Adaptador de corriente, cable de red incluido: 0,43 kg (0,95 lb)

## Conectores y botones



## 3 Montaje

**¡ IMPORTANTE:** La AXIS 215 PTZ está destinada al uso en interiores y exteriores. Para utilizar la cámara en exteriores, debe instalarse en una caja protectora para exteriores aprobada. Para obtener más información sobre cajas para exteriores, consulte la página [www.axis.com](http://www.axis.com)

No use la cúpula de la cámara si va a ser instalada en una cubierta protectora, pues el uso de dos burbujas reducirá la calidad de la imagen y producirá una imagen poco definida.

## Posición frontal

La AXIS 215 PTZ puede recorrer (girar)  $\pm 180^\circ$  desde la posición  $0^\circ$ , esto es, la pestaña metálica situada a la izquierda de los conectores, como se muestra en la ilustración anterior. Esta posición puede considerarse la posición “frontal” de la cámara, y es el punto al que la cámara vuelve cada vez que se (re)inicia.

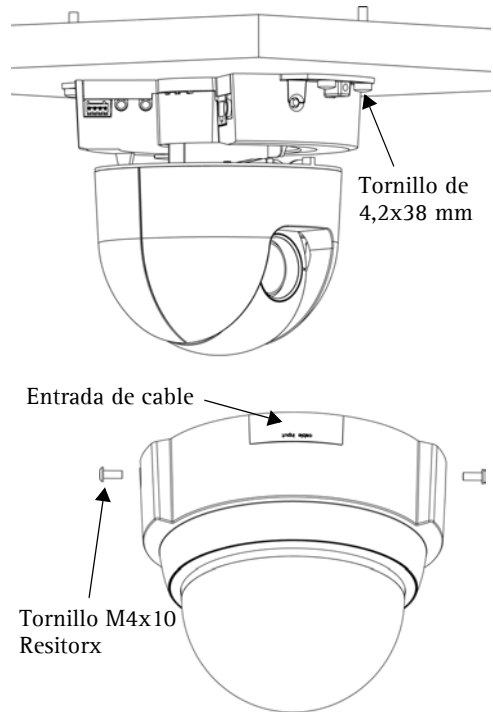
La AXIS 215 PTZ puede montarse de dos maneras distintas:

- En un soporte para techo, en cuyo caso la unidad se sujeta directamente al material del techo
- Oculta en un falso techo, lo que implica realizar un orificio en el techo y usar el soporte para falso techo suministrado.

## Montaje en superficie

Si los cables necesarios también se montan en la superficie, éstos deben introducirse por la entrada de cable desmontable situada en la carcasa de la burbuja de plástico grande.

1. Utilice la plantilla suministrada para marcar las posiciones de los tornillos que sujetarán la cámara al techo. Si es necesario, perforo orificios para los tapones de montaje suministrados.
2. Utilice los dos tornillos de 4,2 x 38 mm suministrados para sujetar la cámara al techo.
3. Conecte la cámara a la red con un cable de red blindado.
4. También puede conectar dispositivos de entrada/salida externos, como dispositivos de alarma. Para obtener más información sobre los pines de conectores de terminales, consulte la page 80.
5. Como opción, puede conectar un altavoz activo o un micrófono externo.
6. Conecte el adaptador de corriente para interiores suministrado al conector de alimentación.
7. Utilizando el destornillador suministrado, monte la carcasa de la burbuja grande con los dos tornillos M4x10 Resistorx.



## Notas:

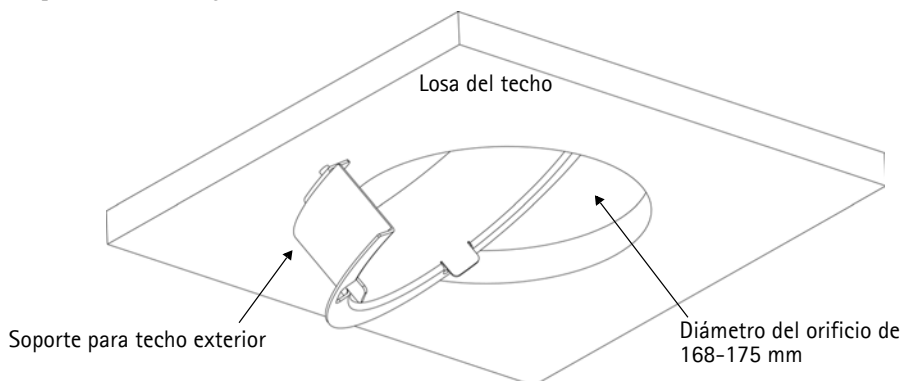
- Cuando haya alimentación eléctrica, compruebe que los LED indicadores anuncian las condiciones adecuadas. Para obtener información más detallada, consulte la tabla de la page 81.
- La carcasa de la burbuja puede montarse con cristal de plástico transparente o ahumado. Consulte la sección *Colocación del cristal de la burbuja*, on page 73.
- No use la cúpula de la cámara si va a ser instalada en una cubierta protectora, pues el uso de dos burbujas reducirá la calidad de la imagen y producirá una imagen poco definida.

## Montaje en falso techo

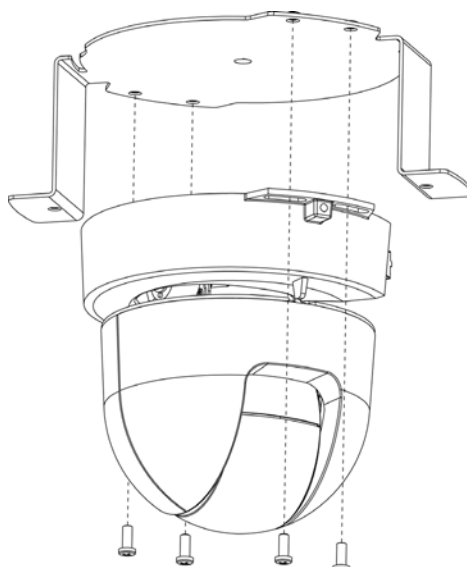
1. Si es posible, retire la losa del techo en la que va a situarse el soporte para falso techo.
2. Utilice la plantilla suministrada para marcar la posición del orificio en la losa del techo. Retire el papel protector, fije la plantilla a la losa del techo y corte alrededor de la plantilla.

**Nota:** El peso combinado de la cámara, el soporte para techo y la carcasa es de 1,26 kg. Compruebe si el material del techo es lo bastante resistente como para soportar este peso. Se recomienda un grosor de techo comprendido entre 20 y 60 mm.

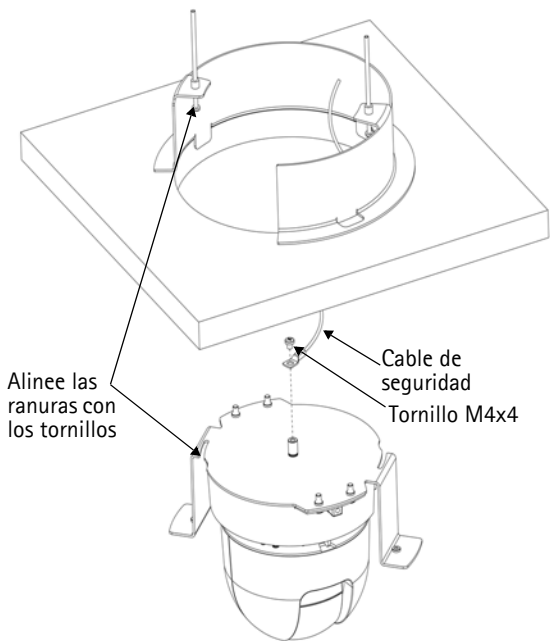
3. Incline e introduzca el soporte para techo exterior a través del orificio y tire de él hasta fijarlo en su posición. El soporte debe situarse de forma que las tres pestañas verticales apunten hacia abajo en el orificio.



4. Pase todos los cables necesarios (cable de red, cable de alimentación, etc.) por el orificio hasta dejarlos preparados para la los tornillos M4x10.
5. Utilice los cuatro tornillos M4x10 suministrados para instalar la cámara en el soporte de techo interior, como se muestra en la imagen siguiente.

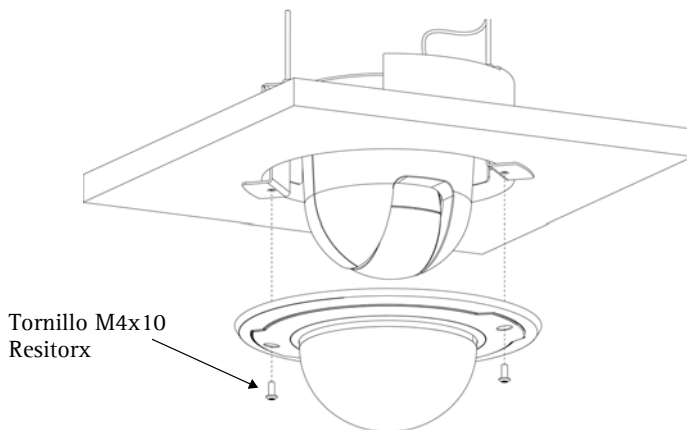


6. Ajuste la longitud del cable de seguridad suministrado y fíjelo al soporte interior y al techo situado encima del falso techo.
7. Conecte la cámara a la red con un cable de red blindado.
8. También puede conectar dispositivos de entrada/salida externos, como dispositivos de alarma. Para obtener más información sobre los pines de conectores de terminales, consulte la page 80.
9. Como opción, puede conectar un altavoz activo o un micrófono externo.
10. Conecte la fuente de alimentación para interiores suministrada al conector de alimentación de la cámara.
11. Levante y gire el soporte interior (con la cámara) para que los tornillos del soporte exterior entren en las ranuras de tornillo del soporte interior. Asegúrese de que los tornillos recorren la ranura hasta llegar al final de la misma.
12. Apriete con cuidado los tornillos para que la losa del techo se mantenga entre los soportes interior y exterior. Compruebe que ningún cable queda atrapado entre los soportes.



**Nota:** Cuando haya alimentación eléctrica, compruebe que los LED indicadores anuncian las condiciones adecuadas. Para obtener información más detallada, consulte la tabla de la page 81.

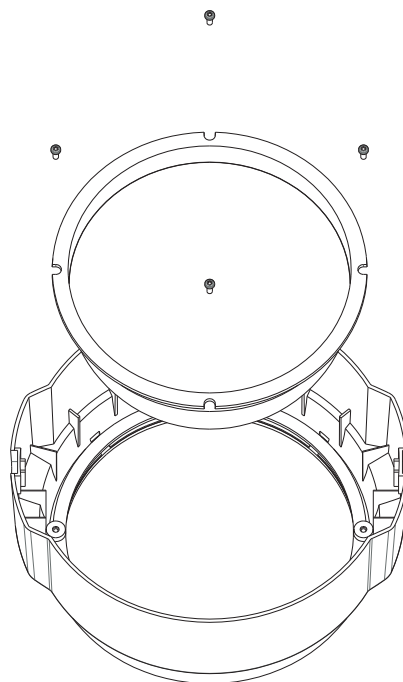
- Utilizando el destornillador suministrado, monte la carcasa de la burbuja más pequeña con los dos tornillos M4x10 Resitorx.



## Colocación del cristal de la burbuja

La carcasa de la burbuja puede montarse con cristal de plástico transparente o ahumado. Si desea cambiar una cubierta por otra, utilice un destornillador Torx T6 para quitar los cuatro tornillos del interior de la burbuja, como se muestra en la ilustración.

Es aconsejable manejar el cristal de plástico con cuidado para evitar arañazos. Se recomienda asimismo usar guantes de algodón.





## 4 Configuración de una dirección IP

Actualmente, la mayoría de redes disponen de un servidor DHCP que asigna direcciones IP a dispositivos conectados de forma automática. Si su red no dispone de un servidor DHCP, AXIS 215 PTZ utilizará 192.168.0.90 como dirección IP predeterminada.

Si desea asignar una dirección IP estática, el método de Windows recomendado es **AXIS IP Utility** o **AXIS Camera Management**. En función del número de cámaras que desee instalar, deberá utilizar el método que se adapte mejor a sus necesidades.

Ambas aplicaciones son gratuitas y están disponibles en el CD del producto de vídeo en red de Axis suministrado con este producto o pueden descargarse de [www.axis.com/techsup](http://www.axis.com/techsup).

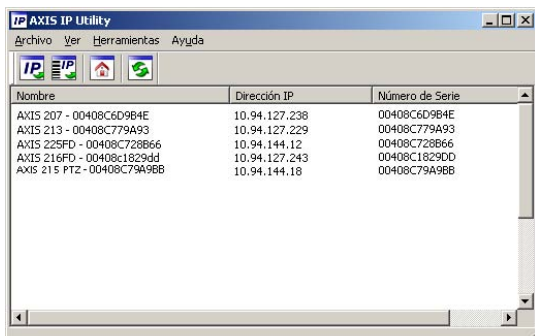
Método	Recomendado para	Sistema operativo
 AXIS IP Utility Consulte la page 75	Cámaras individuales Instalaciones pequeñas	Windows
 AXIS Camera Management Consulte la page 76	Varias cámaras Instalaciones grandes Instalación en una subred dife- rente	Windows 2000 Windows XP Pro Windows 2003 Server

### Notas:

- Si no puede asignar la dirección IP, compruebe que no haya ningún firewall que bloquee la operación.
- Consulte la page 79 para conocer otros métodos para asignar o detectar la dirección IP de la AXIS 215 PTZ, por ejemplo, en otros sistemas operativos.

## AXIS IP Utility: para cámaras individuales o instalaciones pequeñas

AXIS IP Utility encuentra y muestra automáticamente los dispositivos Axis que existen en la red. Además, puede utilizarse para asignar manualmente una dirección IP estática.




Recuerde que el equipo que ejecute AXIS IP Utility debe instalarse en el mismo segmento de red (subred física) que la AXIS 215 PTZ.

### Detección automática

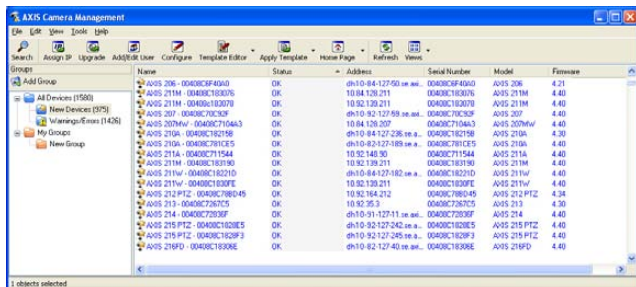
1. Compruebe que la AXIS 215 PTZ está conectada a la red y que recibe alimentación.
2. Inicie AXIS IP Utility.
3. Cuando la cámara aparezca en la ventana, haga doble click en ella para abrir su página de inicio.
4. Consulte la page 77 para obtener instrucciones sobre cómo asignar la contraseña.

### Asignación manual de la dirección IP (opcional)

1. Obtenga una dirección IP que no esté en uso y que se encuentre en el mismo segmento de red que su PC.
2. Seleccione el nombre de producto en la lista.
3. Haga clic en el botón **Asignar nueva dirección IP al dispositivo**  e introduzca la dirección IP.
4. Haga clic en el botón **Asignar** y siga las instrucciones.
5. Haga clic en **Página de inicio** para acceder a las páginas Web de la cámara.
6. Consulte la page 77 para obtener instrucciones sobre cómo configurar la contraseña.

## AXIS Camera Management: para varias cámaras e instalaciones grandes

AXIS Camera Management puede detectar automáticamente varios dispositivos Axis, mostrar el estado de la conexión, administrar las actualizaciones del firmware y configurar direcciones IP.

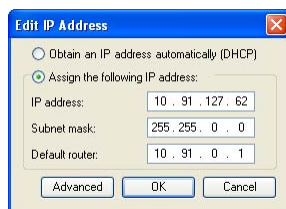


### Detección automática

1. Compruebe que la cámara está conectada a la red y que recibe alimentación.
2. Inicie AXIS Camera Management. Cuando aparezca la AXIS 215 PTZ en la ventana, haga doble click en el icono para abrir la página de inicio.
3. Consulte la page 77 para obtener instrucciones sobre cómo configurar la contraseña.

### Asignación de una dirección IP en un dispositivo individual

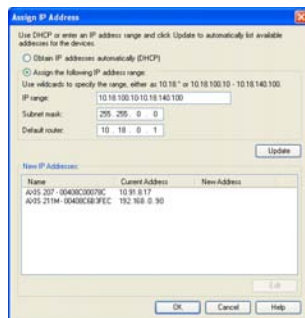
1. Seleccione AXIS 215 PTZ en AXIS Camera Management y haga click en el botón Assign IP (Asignar IP).
2. Seleccione Assign the following IP address (Asignar la dirección siguiente) e introduzca la IP la máscara de subred y el enrutador predeterminado que utilizará el dispositivo.
3. Haga click en el botón OK (Aceptar).



### Asignación de direcciones IP en varios dispositivos

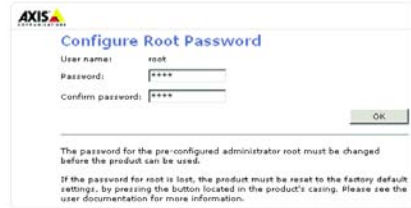
AXIS Camera Management acelera el proceso de asignación de direcciones IP en varios dispositivos indicando direcciones IP disponibles dentro de un intervalo especificado.

1. Seleccione los dispositivos que desee configurar (se puede seleccionar varios modelos) y haga click en el botón Assign IP (Asignar IP).
2. Seleccione Assign the following IP address range (Asignar la siguiente dirección) e introduzca las direcciones IP, la máscara de subred y el enrutador predeterminado que utilizará el dispositivo.
3. Haga click en el botón OK (Aceptar).



## 5 Configuración de la contraseña

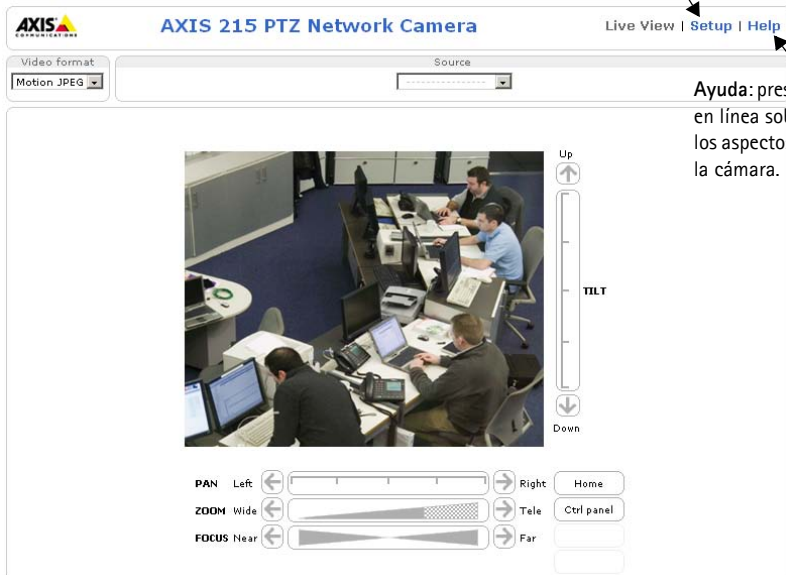
Al acceder a la AXIS 215 PTZ por primera vez, aparecerá el cuadro de diálogo “Configurar contraseña de root”.



1. A continuación, escriba una contraseña y vuelva a escribirla para confirmarla. Haga clic en **Aceptar**.
2. Introduzca el nombre de usuario 'root' en el cuadro de diálogo para acceso presentado.  
Nota: El nombre de usuario predeterminado para el administrador root no se puede borrar.
3. Escriba la contraseña que introdujo anteriormente y haga clic en “**Aceptar**”. Si extravió u olvidó la contraseña, debe restablecer la AXIS 215 PTZ a los valores iniciales. Consulte la page 82.
4. En caso necesario, haga clic en **Sí** para instalar el AMC (AXIS Media Control) y así permitir la visualización del vídeo continuo en Internet Explorer. Para ello, debe tener derechos de administrador en su ordenador.

La página Live View de la AXIS 215 PTZ aparece con enlaces a las herramientas de configuración que le permiten personalizar la cámara.

**Configuración:** proporciona todas las herramientas necesarias para configurar la cámara según sus necesidades.



**Ayuda:** presenta ayuda en línea sobre todos los aspectos del uso de la cámara.

## Acceso a la AXIS 215 PTZ desde Internet

Una vez instalada, puede acceder a la AXIS 215 PTZ desde su red local (LAN). Para acceder a la cámara desde Internet, los routers de red deben estar configurados para permitir el tráfico de datos de entrada, que normalmente se efectúa en un puerto específico. Para obtener más instrucciones, consulte la documentación de su enrutador.

Para obtener más información sobre este u otros temas, visite la página de asistencia técnica de Axis en [www.axis.com/techsup](http://www.axis.com/techsup)

## Otros métodos para configurar la dirección IP

Esta tabla presenta otros métodos disponibles para configurar o detectar la dirección IP. Todos los métodos están habilitados de forma predeterminada y es posible deshabilitarlos.

	Sistema operativo	Notas
UPnP™	Windows (ME o XP)	La cámara se detecta y añade a "Mis sitios de red" automáticamente, siempre que esta opción esté habilitada en el equipo.
Bonjour	MAC OSX (10.4 o posterior)	Aplicable a navegadores compatibles con Bonjour. Navegue hasta el favorito Bonjour™ del explorador (p. ej., Safari) y haga clic en el vínculo para acceder a las páginas Web de la cámara.
Servicio de DNS dinámico de AXIS	Todos	Servicio gratuito suministrado por Axis que permite instalar la cámara de forma rápida y sencilla. Es necesario disponer de conexión a Internet sin proxy HTTP. Para más información, consulte <a href="http://www.axiscam.net">www.axiscam.net</a> .
ARP/Ping	Todos	Véase más adelante. El comando debe emitirse en los dos minutos posteriores al encendido de la cámara.
Acceso a las páginas admin. del servidor DHCP	Todos	Para acceder a las páginas admin. del servidor DHCP en red, consulte la documentación del servidor.

### Configuración de la dirección IP con ARP/Ping

1. Adquiera una dirección IP en el mismo segmento de red en el que está conectado su equipo.
2. Localice el número de serie (N/S) en la etiqueta de la AXIS 215 PTZ.
3. Abra una línea de comando en su equipo y escriba los comandos siguientes:

Sintaxis en Windows:	Ejemplo en Windows
arp -s <Dirección IP> <Número de serie> ping -l 408 -t <Dirección IP>	arp -s 192.168.0.125 00-40-8c-18-10-00 ping -l 408 -t 192.168.0.125
Sintaxis en UNIX/Linux/Mac	Ejemplo en UNIX/Linux/Mac
arp -s <Dirección IP> <Número de serie> temp ping -s 408 <Dirección IP>	arp -s 192.168.0.125 00:40:8c:18:10:00 temp ping -s 408 192.168.0.125

4. Compruebe que el cable de red está conectado a la cámara y desconecte y vuelva a conectar la corriente para iniciarla o reiniciarla.
5. Cierre la línea de comando cuando vea "Reply from 192.168.0.125:" (Respuesta de 192.168.0.125:) o similar.
6. En el explorador, escriba <http://<dirección IP>> en el campo Ubicación/Dirección y pulse **Intro** en el teclado.

#### Notas:

- Para abrir una línea de comando en Windows: desde el menú Inicio, seleccione Ejecutar... y escriba cmd. Haga clic en Aceptar.
- Para utilizar el comando ARP en un sistema operativo Mac OS X, utilice la herramienta Terminal, que se encuentra en Aplicaciones > Utilidades.

## Conectores

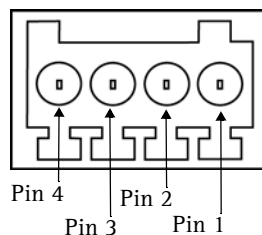
**Conector de red** - Conector Ethernet RJ-45. Ayudas Power over Ethernet (PoE). Se recomienda emplear cables blindados.

**Conector de alimentación** - Conector mini de CC. 12 V CC +-5%, máx. 14,5 W. Consulte la etiqueta del producto para información sobre la conexión de polaridad positiva o negativa ±

**Entrada de audio** - Conector de 3.5mm para micrófono mono, o entrada de línea de señal mono (se usa el canal izquierdo de una señal estéreo).

**Salida de audio** - Salida de audio (nivel línea) que puede ser conectada a un sistema de megafonía pública o a un altavoz con amplificador incorporado. También puede conectarse a unos auriculares. Debe utilizarse un conector estéreo.

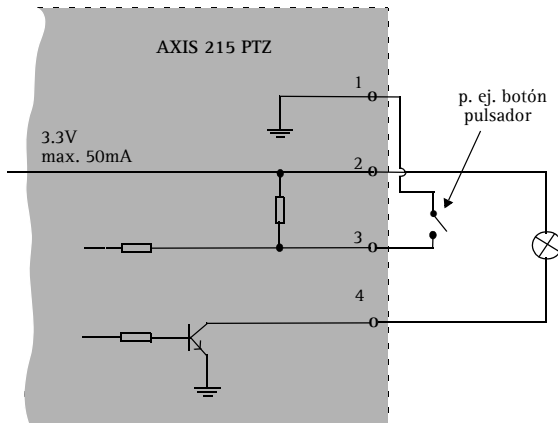
**Conector del terminal de E/S** - Utilizado, por ejemplo, en aplicaciones de detección de movimiento, activación de eventos, grabación de lapsos de tiempo, notificaciones de alarma, etc. Proporciona a la interfaz la conexión de:



- 1 salida de transistor: Para conectar relés y LEDs. Se pueden activar dispositivos conectados mediante AXIS VAPIX API, los botones de salida de la página **En vivo** o mediante un **tipo de evento**. La salida se mostrará activa (**Configuración de eventos > Estado del puerto**) si el dispositivo de alarma está activado.
- 1 entrada digital: Una entrada de alarma para conectar dispositivos que puedan alternar circuitos cerrados y abiertos, como detectores PIR, contactos de puertas y ventanas, detectores de rotura de cristales, etc. Cuando se recibe una señal, el estado cambia y la entrada se vuelve activa (indicado en **Configuración de eventos > Estado del puerto**).
- Alimentación auxiliar y toma de tierra

Función	Número de pin	Notas	Especificaciones
GND	1	Toma de tierra	
Alimentación 3.3V CC auxiliar	2	Este pin puede usarse para alimentar equipos auxiliares.	Corriente máxima: 50 mA.
Entrada digital	3	Conecte una toma de tierra para activarla o déjala suelta (o desconectada) para desactivarla.	No debe exponerse a voltajes superiores a 10 V CC.
Salida del transistor	4	Utiliza un transistor NPN de colector abierto con un emisor conectado al pin de toma de tierra (GND). Si se utiliza con un relé externo, debe conectarse un diodo en paralelo a la carga como protección ante oscilaciones de voltaje.	Carga máx. = 50 mA Voltaje máx. = 24 V CC (al transistor)

## Diagrama de conexiones



## Indicadores LED

LED	Color	Indicación
Red	Verde	Fijo para indicar conexión a una red de 100 Mbit/s, parpadeo para indicar actividad de red
	Ámbar	Fijo para indicar conexión a una red de 10 Mbit/s, parpadeo para indicar actividad de red
	Apagado	Desconectada de la red.
Estado	Verde	Fijo para indicar funcionamiento normal.
	Ámbar	Fijo durante el inicio o durante el restablecimiento de los valores o la configuración iniciales
	Rojo	Parpadeo lento si no se puede realizar una actualización
Alimentación	Verde	Funcionamiento normal
	Ámbar	Parpadeo verde/ámbar durante la actualización del firmware

## Restablecimiento de los valores iniciales

Esta operación restaurará todos los parámetros, incluida la dirección IP, a los valores iniciales:

1. Desconecte la alimentación de la cámara.
2. Mantenga presionado el botón de control y vuelva a conectar la alimentación.
3. Mantenga presionado el botón de control hasta que el indicador de estado brille con luz ámbar (esto puede tardar hasta 15 segundos) y después suelte el botón.
4. Cuando el indicador de estado emita una luz verde (lo que puede tardar hasta 1 minuto), ha finalizado el proceso y se han restablecido los valores iniciales de la cámara.
5. Vuelva a instalar la AXIS 215 PTZ utilizando uno de los métodos descritos en este documento.

También es posible restablecer los valores predeterminados de la cámara mediante la interfaz Web. Si desea más información, consulte la ayuda en línea o el manual del usuario.

## Más información

Podrá acceder al manual del usuario desde el sitio Web de Axis [www.axis.com](http://www.axis.com), o bien a través del CD sobre el producto de vídeo de red de Axis suministrado con la cámara.

### Sugerencia:

Entre en [www.axis.com/techsup](http://www.axis.com/techsup) para comprobar si existe firmware actualizado disponible para la AXIS 215 PTZ. Para ver la versión de firmware que se encuentra instalada en ese momento, consulte la página Web Configuración básica en las herramientas de configuración del producto.

